



Package Contents:

- RVXLWR-B** – RoadVise XL Phone and Midsize Tablet Holder with Tightening Ring
- CM088-G17** – Car Seat Rail or Floor Pedestal with 15" Gooseneck

IMPORTANT: Do not overtighten ring. Overtightening ring may damage threads on holder and also make it difficult to adjust holder.

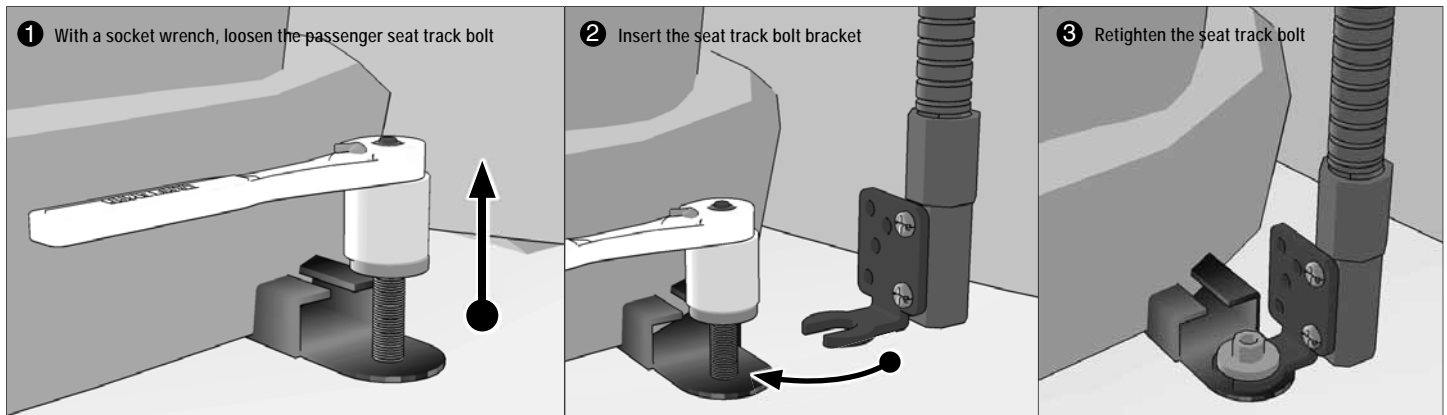
Compatibility:

Fits phones, 7-8" screen size tablets, and handheld gaming devices measuring 2.5" up to 5" wide.

Arkon recommends installing this mount on the passenger side seat rail.

Passenger Seat Bolt Mounting

For a simple mount that can be easily moved to another vehicle, install using the passenger seat track bolt.



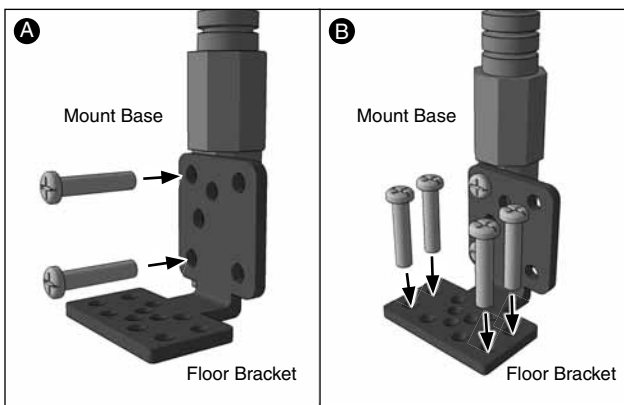
Alternative Floor or Console Mounting

For permanent installation, connect the Floor / Console Mount Bracket to the floor or console. This will require drilling into your vehicle's interior surface.

! Drilling into the dash, floor, or console will permanently damage the vehicle. Use caution and consult a mobile install professional to avoid drilling into the gas tank, electrical system or other highly sensitive vehicle components.

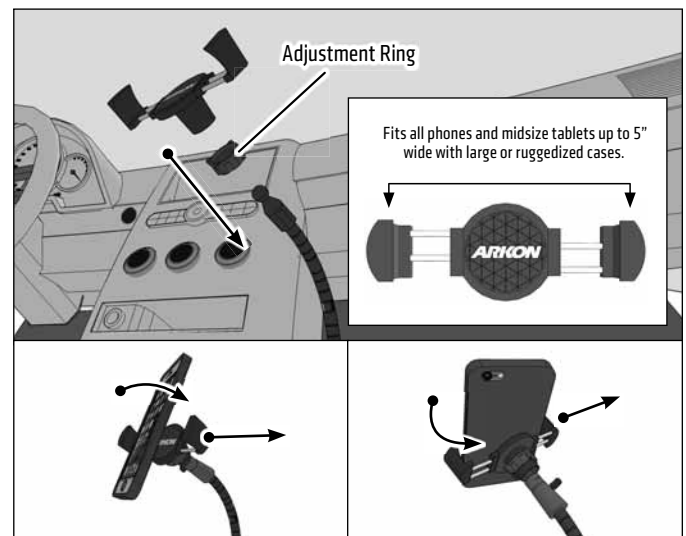
Fig. A Screw the mount bracket to the mount. Depending on your vehicle, you may need to change the orientation of the bracket.

Fig. B Attach the Floor / Console Bracket with screws.



Attach holder and mount device

Unscrew knob to loosen pedestal head. Switch out Dual-T head to reveal 17mm ball. Attach ring and RoadVise XL holder to pedestal, and tighten ring to secure. Using two hands, insert the device into the holder by pushing device sideways into one of the spring-loaded legs. Expand the other leg and fully insert device until it lays flat against the gray rubber pad.



Safety Precautions

Arkon is not responsible for any damages caused to your vehicle, your device, or yourself due to the installation or use of this mount. Do not install Arkon products over an air bag cover or within the air bag deployment zone.

Arkon Resources, Inc. assumes no responsibility for liability for injury or death as a result of car crashes and/or air bag deployment.