

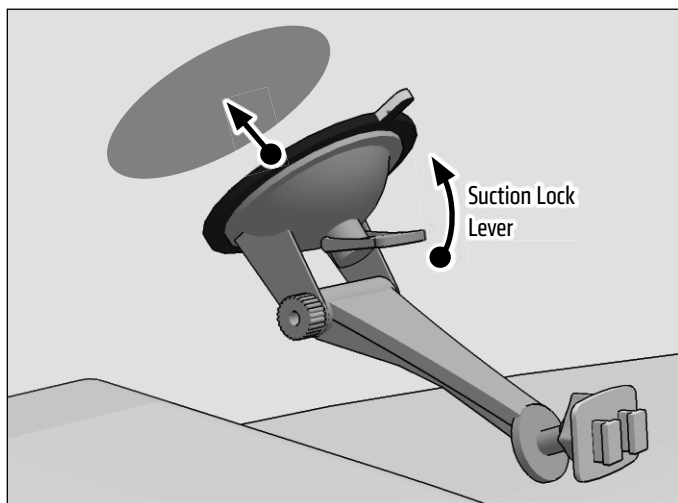


Package Contents:

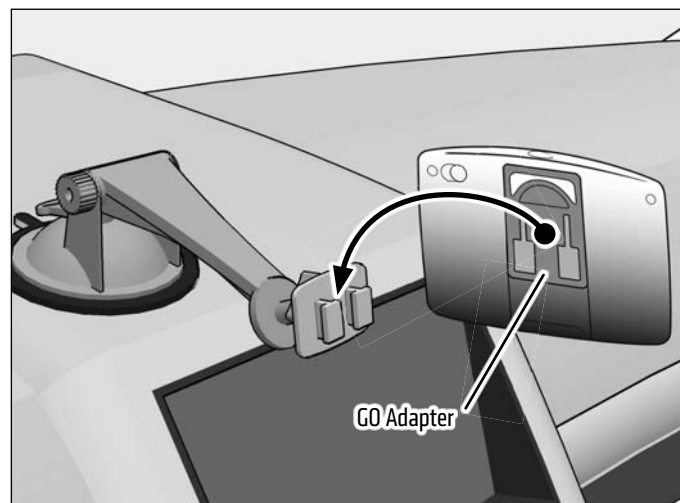
- (1) **GN079-SBH** - Sticky Suction Windshield or Dashboard Mount
- (1) **APTTG0520** - Adapter for TomTom® GO™ models 520, 720, and 920
- (1) **AP013** - Optional Adhesive Mounting Disk

*If the sticky suction base becomes dirty or loses stickiness, rinse under warm water with mild liquid soap and let air dry.

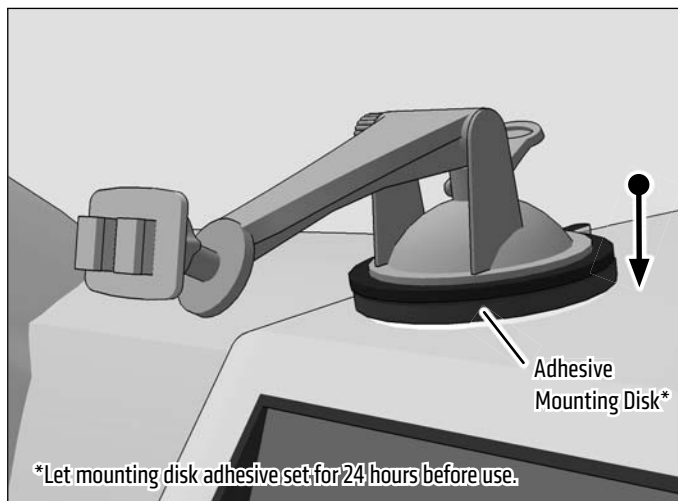
- 1** Attach pedestal to windshield or dashboard and engage suction lock lever.



- 2** Insert GO adapter into a compatible TomTom device and connect to the pedestal Dual-T head.



OPTIONAL: For use on soft vinyl or leather dashboards, use included adhesive mounting disk*.



*Let mounting disk adhesive set for 24 hours before use.

DASHBOARD MOUNTING WARNING: THE STICKY SUCTION PEDESTAL SHOULD NOT BE USED ON SOME TYPES OF DASHBOARDS. IT MAY LEAVE A PERMANENT INDENTATION ON DASHBOARD SURFACES MADE OF SOFT VINYL, LEATHER, OR SIMILAR MATERIALS. TO PREVENT PERMANENT INDENTATION MARKS, USE THE INCLUDED ADHESIVE MOUNTING DISK WHEN MOUNTING ON SOFT DASHBOARD SURFACES. WITH CERTAIN DASHBOARD SURFACES YOU MAY NEED TO PUSH DOWN FIRMLY ON THE SUCTION BASE WHILE ENGAGING THE SUCTION LOCK LEVER TO CREATE ENOUGH SUCTION TO HOLD THE MOUNT.



Safety Precautions

Do not install Arkon products over an air bag cover or within the air bag deployment zone. Arkon Resources, Inc. assumes no responsibility of liability for injury or death as a result of car crashes and / or air bag deployment.

Arkon is not responsible for any damages caused to your vehicle, your device, or yourself due to the installation or use of this mount.



The Mobile Mounting Specialists™

Consumer Hotline:

USA (800) 841-0884

INT'L (626) 254-9005

Monday - Friday 9am - 5pm, PST

www.arkon.com

Arcadia, CA 91006 USA

Designed in USA | Made in China

© Copyright 2014 Arkon Resources, Inc.