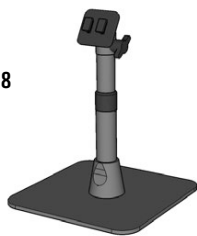


HD008



TAB001

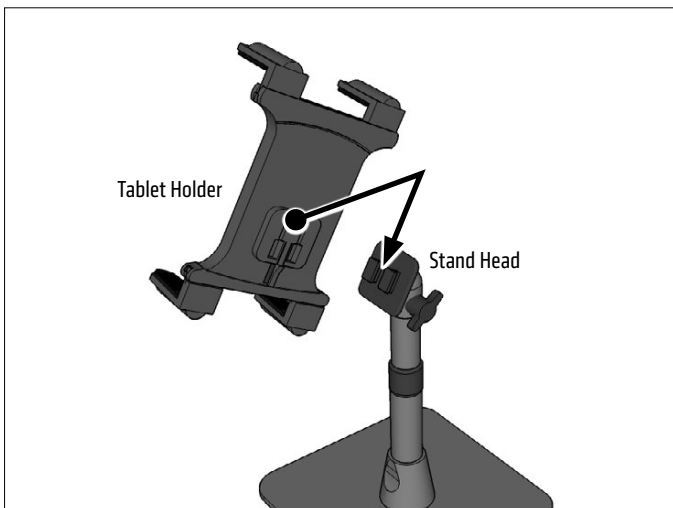


**Package Contents:**

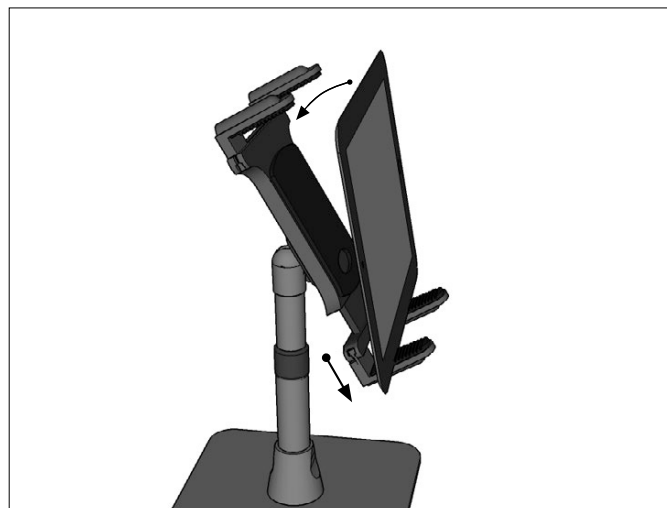
- (1) **HD008** – Heavy-Duty Mounting Pedestal with Weighted Base and Telescoping Arm (weight: 3.4 lbs.)
- (1) **TAB001** – Slim-Grip® Universal Tablet Holder

The Slim-Grip Universal Tablet Holder fits all tablets with 8.9" - 18.4" screen size. It includes 4 short, 2 medium, and 4 long support legs. Select a combination of 4 support legs in conjunction for use with the spring-loaded holder to achieve the perfect fit for your tablet.

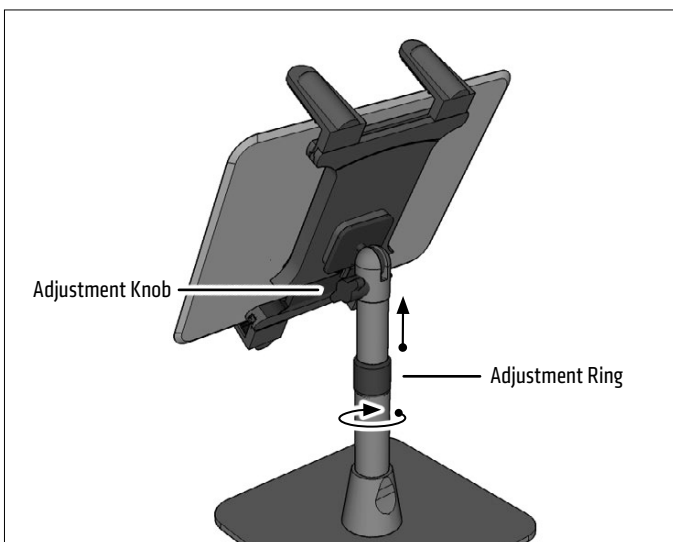
- 1** Attach the holder to the mount by inserting the Dual T-Tabs into the holder's Dual T-Slots and pushing down to lock.



- 2** Insert tablet into holder by pushing down on the bottom spring-loaded support legs with the tablet. Slide the top of the tablet under the top support legs until it fits snugly in the holder.



- 3** Adjust the height and angle of the pedestal by loosening the adjustment ring and the adjustment knob. Retighten to set.



**Safety Precautions**

Arkon is not responsible for any damages caused to your device or yourself due to the installation or use of this mount.

**ARKON**  
RESOURCES INC.

*The Mobile Mounting Specialists™*

Consumer Hotline:

USA (800) 841-0884

INT'L (626) 254-9005

Monday - Friday 9am - 5pm, PST

[www.arkon.com](http://www.arkon.com)

Arcadia, CA 91006 USA

Designed in USA | Made in China

© Copyright 2017 Arkon Resources, Inc.