

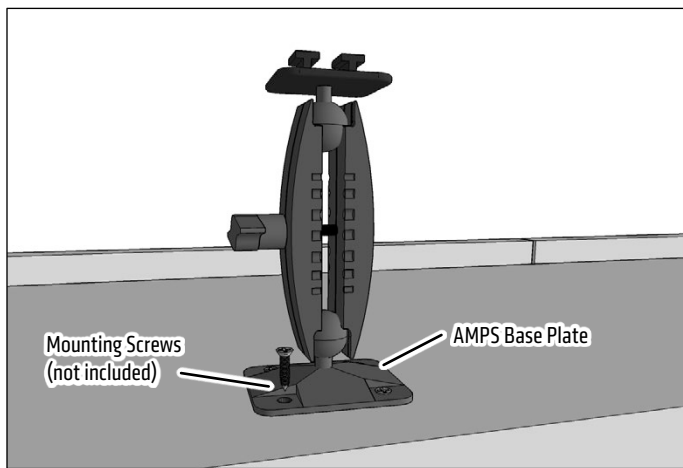


**Package Contents:**

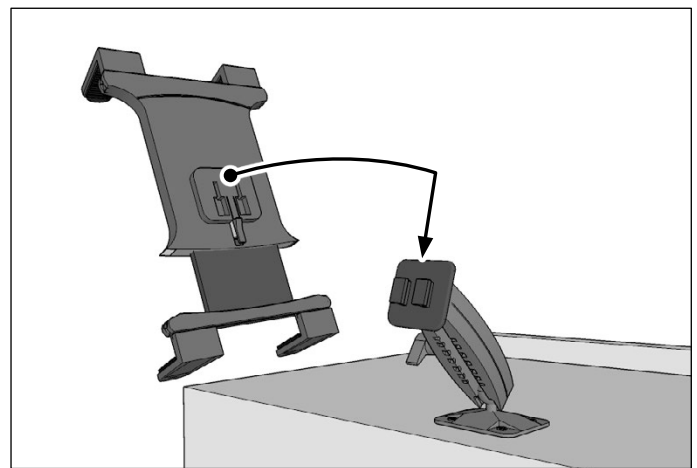
- (1) **TAB001** - Slim-Grip® Universal Tablet Holder
- (1) **SP-RM200** - Robust Mount Shaft
- (1) **APRM2T** - 25mm Ball to Dual-T Adapter
- (1) **APMAMPS25MM** - Metal 4-Hole AMPS to 25mm Ball Adapter

**IMPORTANT:** The Slim-Grip Universal Tablet Holder fits all tablets with 8.9" - 18.4" screen size. It includes 4 short, 2 medium, and 4 long support legs. Select a combination of 4 support legs in conjunction for use with the spring-loaded holder to achieve the perfect fit for your tablet.

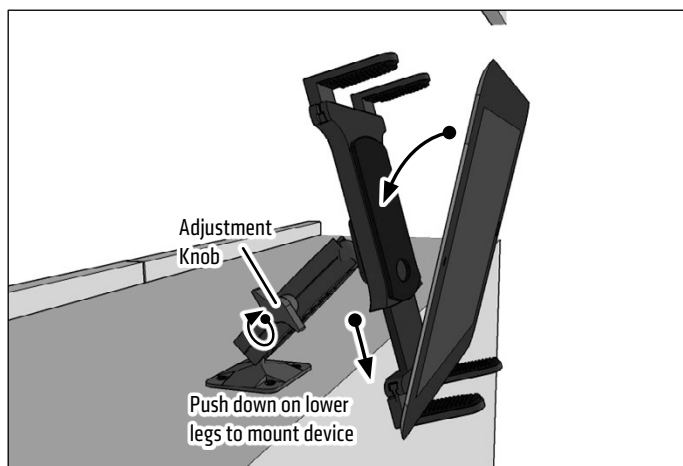
- 1** Attach the pedestal to the mounting surface through the AMPS base plate. Choose the screws (not included) that will work best on the chosen mounting surface.



- 2** Attach Slim-Grip tablet holder by sliding the Dual T-Tabs on the pedestal head into the Dual T-Slots of the holder.



- 3** Insert tablet by placing it on the two lower legs and pushing down on the spring-loaded bottom of the holder. Loosen adjustment knob to adjust rotation, position, or angle. Retighten to set.



The Mobile Mounting Specialists™

Consumer Hotline:

USA (800) 841-0884

INT'L (626) 254-9005

Monday - Friday 9 am - 5 pm, PST

[www.arkon.com](http://www.arkon.com)

Arcadia, CA 91006 USA

Designed in USA | Made in Taiwan

© Copyright 2017 Arkon Resources, Inc.