



HD006



TAB003



HM004-B

**Package Contents:**

**HD006** – Heavy-Duty Multi-Angle Drill-Base Mounting Pedestal with 8" Arm

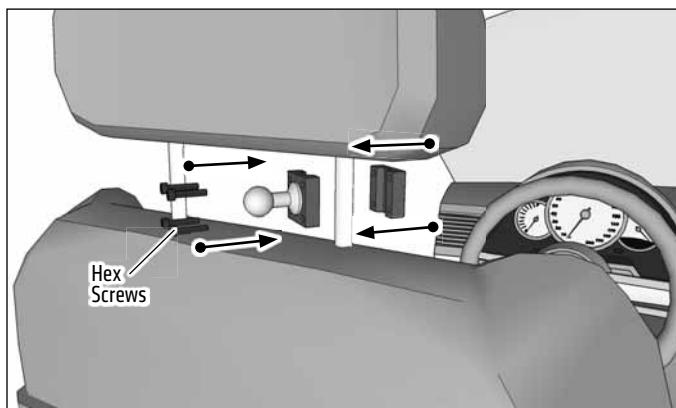
**TAB003** – Universal Tablet Push-Button Holder

**HM004-B** – Headrest Clamp with 20mm Ball

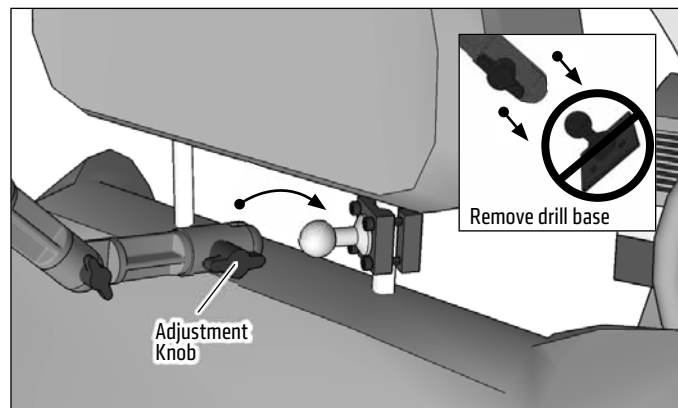
Clamp fits .31"-.63" (8mm-16mm) diameter posts.

**IMPORTANT:** Clamp may not fit all headrest types. Please consult your vehicle's user manual for compatibility.

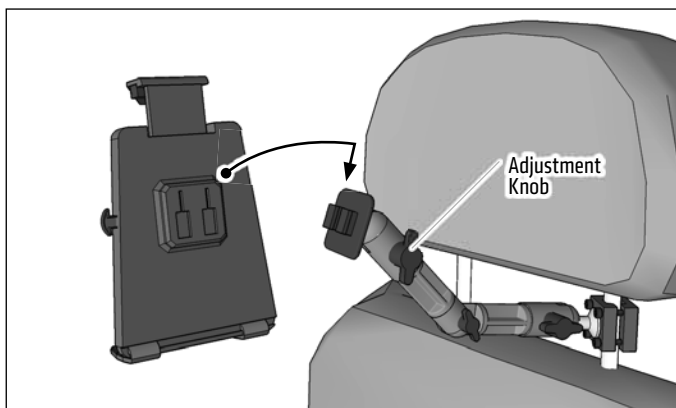
- 1 Place clamp on headrest and use the included hex key to securely tighten the 4 hex screws to securely mount clamp onto post.



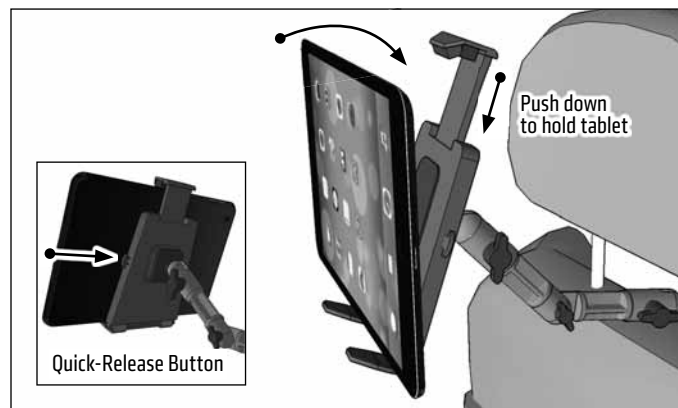
- 2 Loosen the adjustment knob on the pedestal, remove the drill base, and position the pedestal over the mount's ball. Retighten knob and set pedestal to desired angle.



- 3 Attach the holder to the mount by inserting the Dual T-Tabs into the holder's Dual T-Slots and pushing down to lock. Loosen adjustment knob to set desired position of holder and retighten.



- 4 Insert tablet into holder; push down the spring-loaded leg to secure tablet. Remove tablet by pressing the quick-release button.



**Safety Precaution**

Arkon Resources, Inc. is not responsible for any damages caused to your vehicle or yourself due to the installation of this product.

**ARKON**  
RESOURCES INC.

The Mobile Mounting Specialists™

Consumer Hotline:

USA (800) 841-0884

INT'L (626) 254-9005

Monday - Friday 9 am - 5 pm, PST

[www.arkon.com](http://www.arkon.com)

Arcadia, CA 91006 USA

Designed in USA | Made in Taiwan

© Copyright 2015 Arkon Resources, Inc.