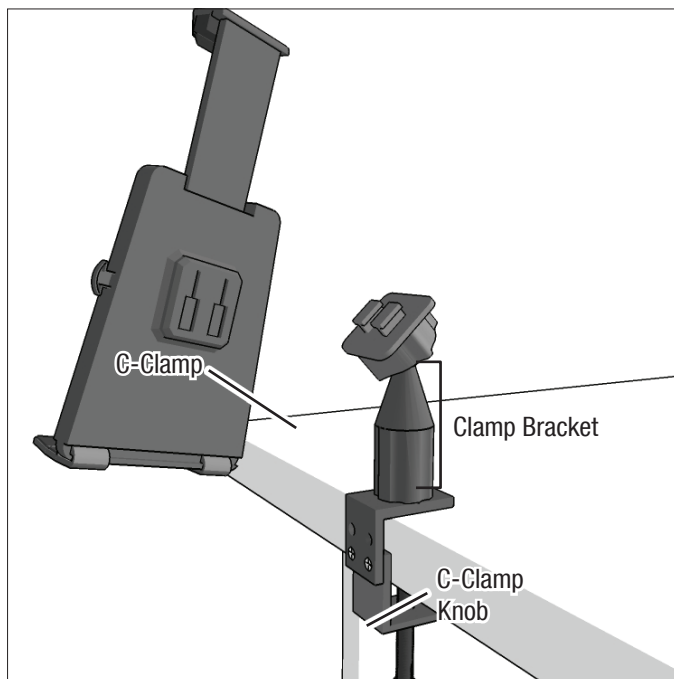
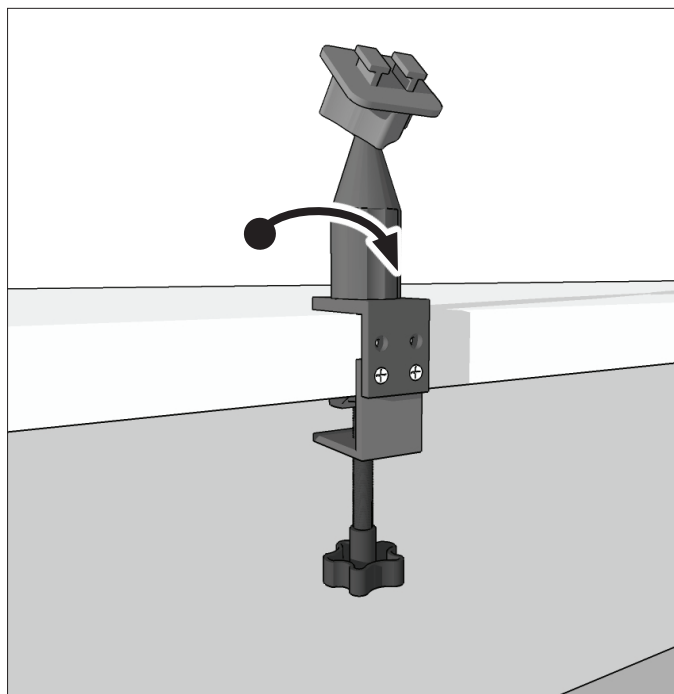


- 1** Attach mounting pedestal by turning the C-Clamp knob; adjust the clamp bracket position if necessary. Slide optional rubber clamp boot onto the top of the mount's clamp to prevent scratching clamp surface if desired.



- 2** Attach tablet holder to the mount



- 3** Attach the tablet holder and insert tablet; remove tablet by pressing quick release button

