



Package Contents:

HD005 – Aluminum Mounting Pedestal with 10" Adjustable Arm and 4-Hole Drill Base with one set of 4 screws

TAB001 – Slim-Grip® Universal Tablet Holder

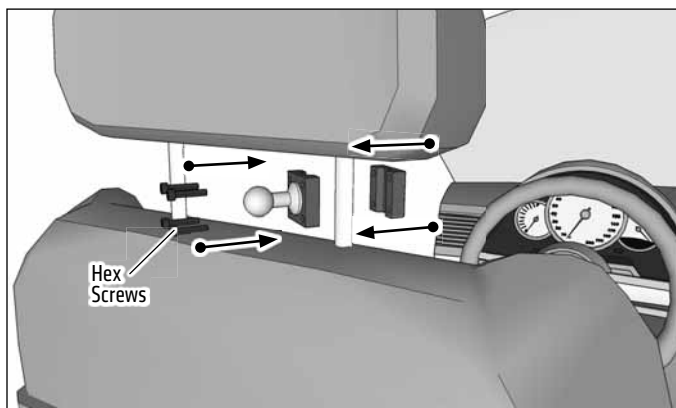
HM004-B – Headrest Clamp with 20mm Ball

Clamp fits .31"-.63" (8mm-16mm) diameter posts.

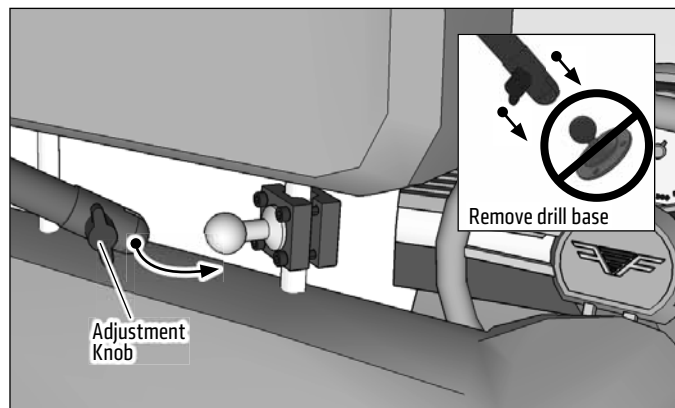
Universal Tablet Holder includes 8 support legs (4 long and 4 short) for maximum versatility. For most large tablets, the best configuration is 2 short legs on the top of the holder and 2 long legs on the bottom of the holder.

IMPORTANT: Clamp may not fit all headrest types. Please consult your vehicle's user manual for compatibility.

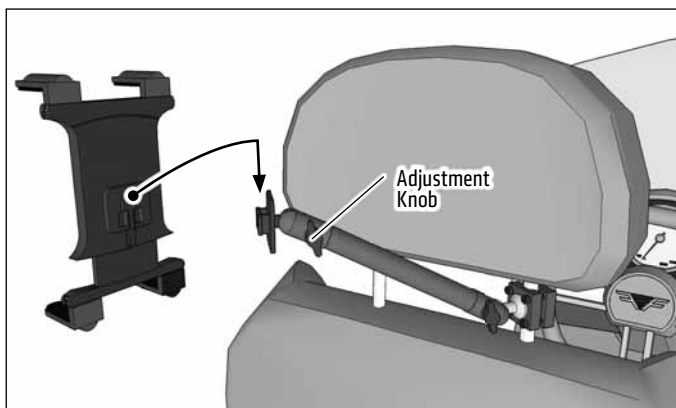
- 1 Place clamp on headrest and use the included hex key to securely tighten the 4 hex screws to securely mount clamp onto post.



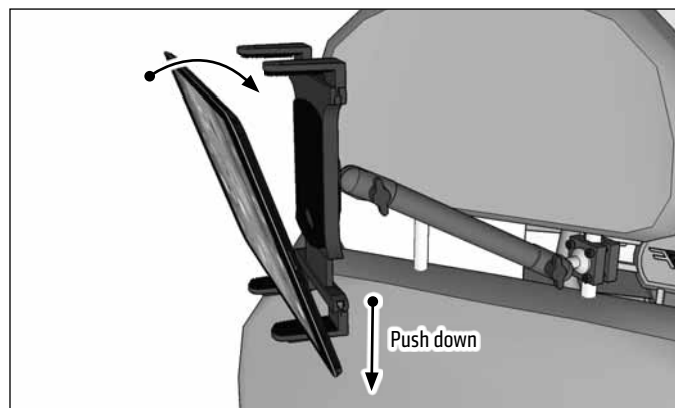
- 2 Loosen the adjustment knob on the pedestal, remove the drill base, and position the pedestal over the mount's ball. Retighten knob and set pedestal to desired angle.



- 3 Attach the holder to the mount by inserting the Dual T-Tabs into the holder's Dual T-Slots and pushing down to lock. Loosen adjustment knob to set desired position of holder and retighten.



- 4 Insert tablet into holder by pushing down on the bottom spring-loaded support legs with the tablet. Slide the top of the tablet under the top support legs until it fits snugly in the holder.



⚠ Safety Precaution
 Arkon Resources, Inc. is not responsible for any damages caused to your vehicle or yourself due to the installation of this product.

ARKON
RESOURCES INC. The Mobile Mounting Specialists™

Consumer Hotline:
 USA (800) 841-0884
 INT'L (626) 254-9005
 Monday - Friday 9 am - 5 pm, PST

www.arkon.com
 Arcadia, CA 91006 USA
 Designed in USA | Made in Taiwan
 © Copyright 2015 Arkon Resources, Inc.