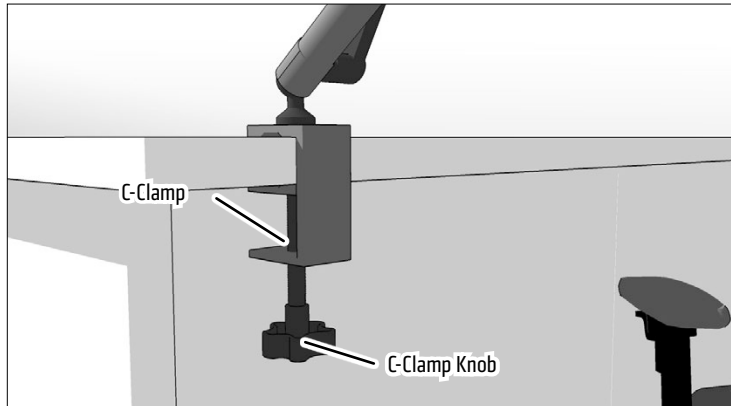


**1 Place the Mount**

Open the C-clamp on the bottom of the mount by turning the clamp knob counterclockwise. Tighten the clamp knob to secure on mounting area.



**Package Contents:**

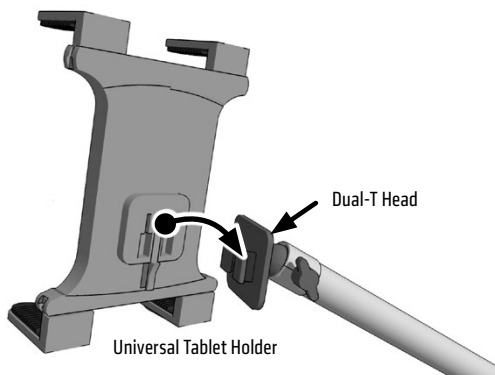
- (1) HD004 – 10" Heavy Duty Aluminum C-Clamp Mount
- (1) TAB001 – Universal Tablet Holder



The Slim-Grip Universal Tablet Holder fits all tablets with 8.9" - 18.4" screen size. It includes 4 short, 2 medium, and 4 long support legs. Select a combination of 4 support legs in conjunction for use with the spring-loaded holder to achieve the perfect fit for your tablet.

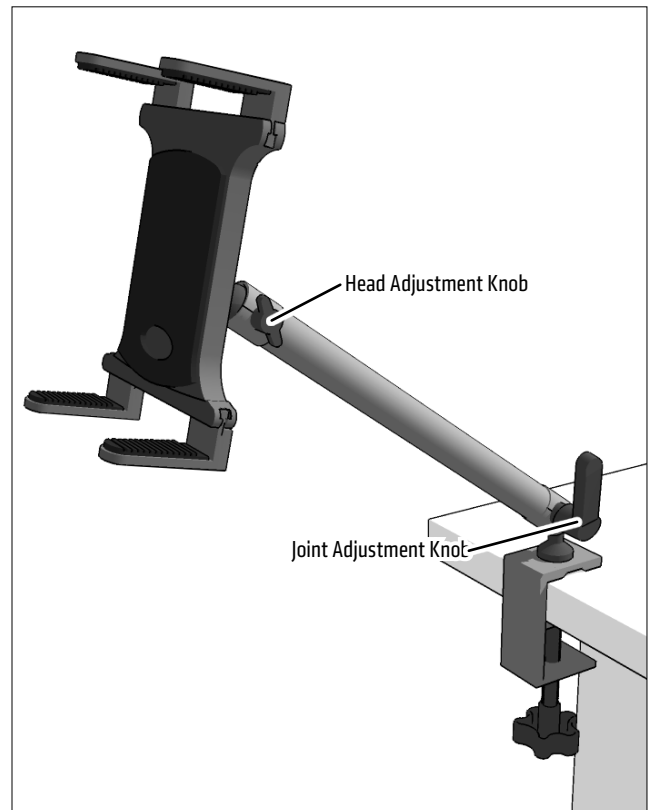
**2 Attach the Holder**

Attach a holder to the C-clamp mount by inserting the Dual-T Tabs into the holder and sliding the holder down to lock.



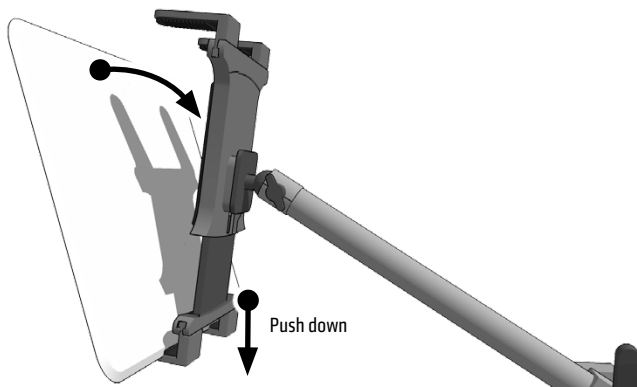
**4 Adjust the Mount**

Adjust the C-clamp mount position by loosening the joint adjustment knobs and retightening in the desired position.



**3 Mount a Tablet**

Insert tablet into holder by pushing down on the bottom spring-loaded support legs with the tablet. Slide the top of the tablet under the top support legs until it fits snugly in the holder.



**IMPORTANT:** Install the appropriate size support legs on the holder that will work for your device.



**Safety Precautions**

Do not install Arkon products over an air bag cover or within the air bag deployment zone. Arkon Resources, Inc. assumes no responsibility of liability for injury or death as a result of car crashes and / or air bag deployment.

Arkon is not responsible for any damages caused to your car, your device, or yourself due to the installation or use of this pedestal mount.



The Mobile Mounting Specialists™

**Consumer Hotline:**

**USA** (800) 841-0884

**INT'L** (626) 254-9005

Monday - Friday 9 am - 5 pm, PST

[www.arkon.com](http://www.arkon.com)

Arcadia, CA 91006 USA

Made in China and Taiwan

© Copyright 2017 Arkon Resources, Inc.