

TAB4XLKL-B



RMS2XAMPS-MET



SP-12M-4M7

Package Contents:

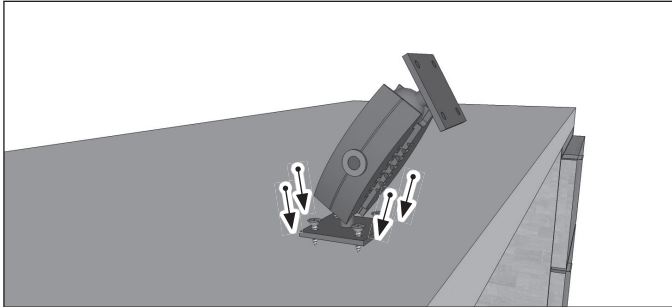
- (1) TAB4XLKL-B – Extra Large Universal Locking Adjustable Aluminum Tablet Holder with Key Lock and Keys
- (1) RMS2XAMPS-MET – Robust Mount Series Shaft with 4-Hole AMPS Base
- (1) SP-12M-4M7 – Screw Pack

Device Compatibility: Fits 10"-12" screen size tablets

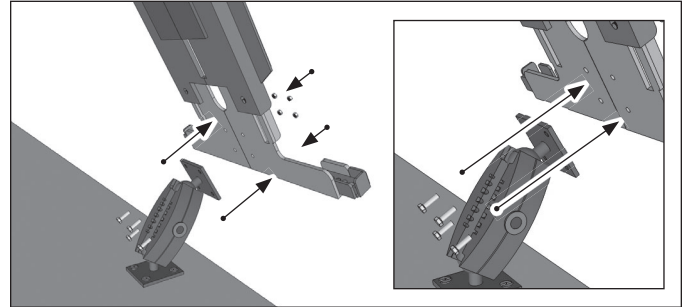
Tools Needed: 7mm and 10mm socket wrenches

Mounting Base & Holder

- 1 Using a screwdriver and/or drill, attach the metal AMPS mounting base to a flat surface with 4 screws (not included).

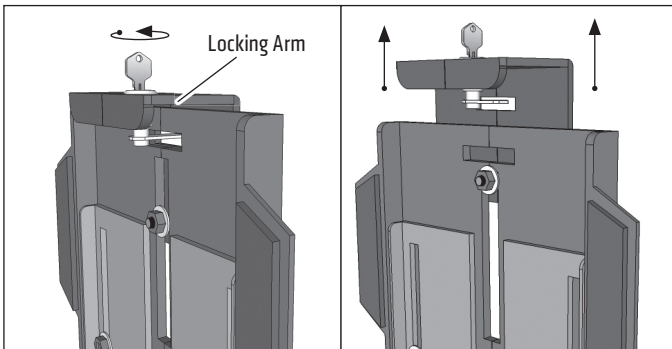


- 2 Connect the tablet holder to the mounting base (screws provided) using the 4-Hole AMPS mounting pattern. Loosen adjustment knob to reposition shaft, retighten to desired position.

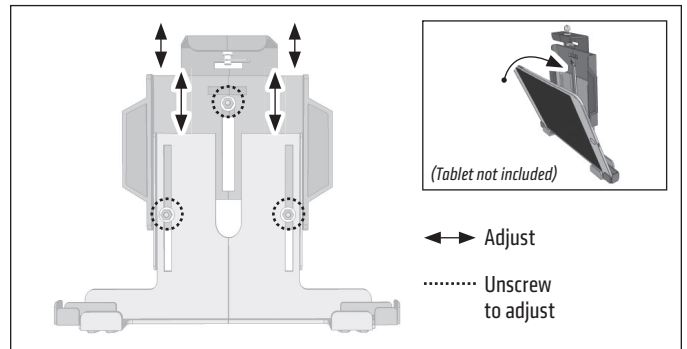


Inserting Tablet

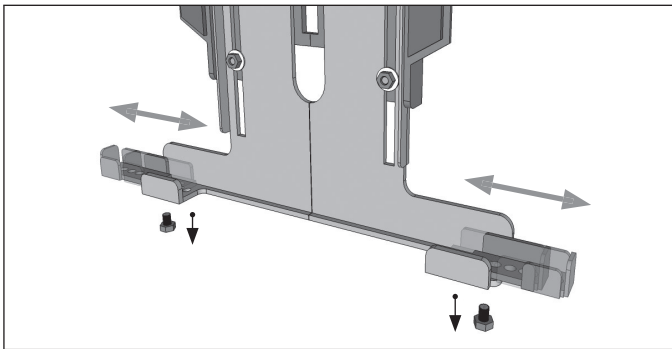
- 3 To size the tablet holder to your tablet, begin by unlocking the top of the tablet holder with the key and push up on the locking arm.



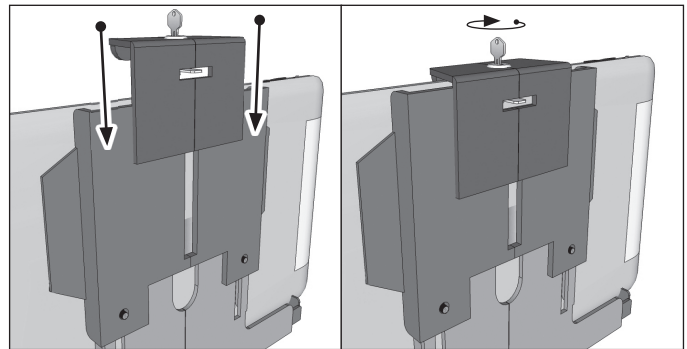
- 4 Unscrew the three screws/washers at the back/center of the holder to adjust the tablet holder's height to the tablet (not included). Retighten the screws/washers to secure.



- 5 Unscrew the screws at the bottom sides of the holder to adjust the tablet holder's width to the tablet. Tighten to secure.



- 6 To lock down tablet, close down on the locking arm on the top of the tablet and lock with key (included).



Safety Precautions

Arkon is not responsible for any damages caused to your device or yourself due to the installation or use of this mount.

ARKON MOUNTS

Consumer Hotline:

USA (800) 841-0884

INT'L (626) 254-9005

Monday - Friday 9 am - 5 pm, PST

www.arkon.com

Arcadia, CA 91006 USA

Designed in USA | Made in Taiwan

© Copyright 2020 Arkon Resources, Inc.