



TAB004KL-B



CAVPA1



CAUSBMC3



RMS2XAMPS-MET-SH

Package Contents:

- (1) TAB004KL-B – Universal Metal Locking Tablet Holder with Key Lock
- (1) CAVPA1 – Fixed Install USB Vehicle Power Adapter (12-24V Input, 2.4 Amp Output)*
- (1) CAUSBMC3 – USB to Micro USB Cable (3 foot)
- (1) RMS2XAMPS-MET-SH – Robust Series Small Shaft with AMPS Base and Security Hardware

*Hardwire the CAVPA1 6-foot power adapter directly into your vehicle's 12V power source and then use the USB to connect your charge cable (sold separately). Ignition sense provides charge for up to 90 minutes after ignition is off. Installation is simple and includes short circuit protection; however, it is strongly recommended that you have knowledge of your vehicle's operation before installing.

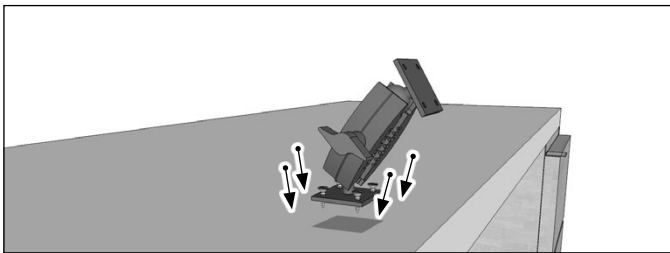
CAUSBMC3 is ideal for charging Micro USB-compatible smartphones or other devices.

Device Compatibility: Fits 7"-10" screen size tablets

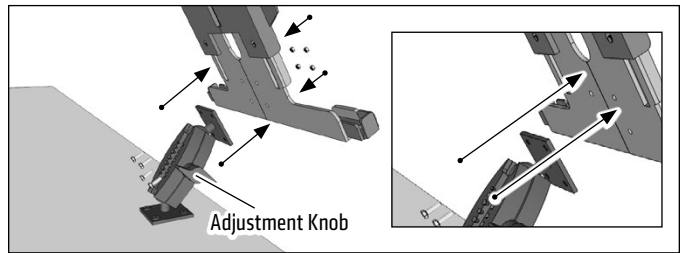
Tools Needed: 7mm and 10mm socket wrenches

Mounting Base & Holder

- 1 Using a screwdriver and/or drill, attach the metal AMPS mounting base to a flat surface with 4 screws (not included).

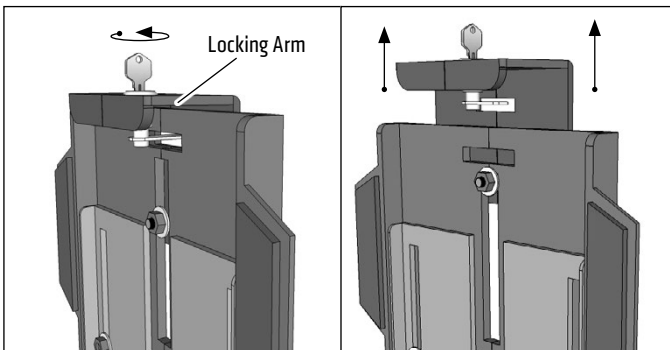


- 2 Connect the tablet holder to the mounting base (screws provided) using the 4-Hole AMPS mounting pattern. Loosen adjustment knob to reposition shaft, retighten to desired position.

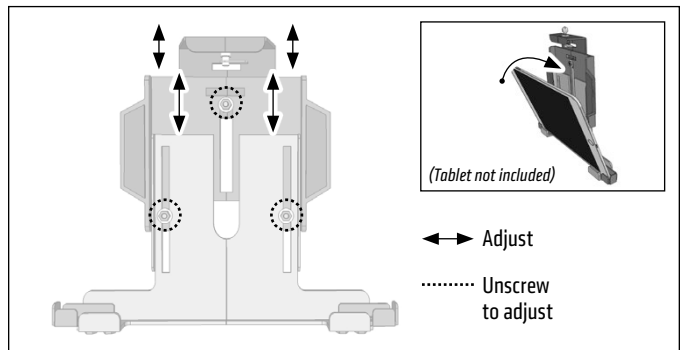


Inserting Tablet

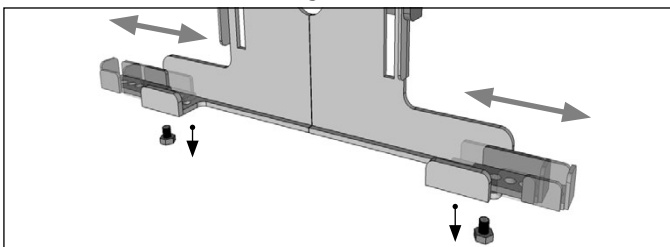
- 1 To size the tablet holder to your tablet, begin by unlocking the top of the tablet holder with the key and push up on the locking arm.



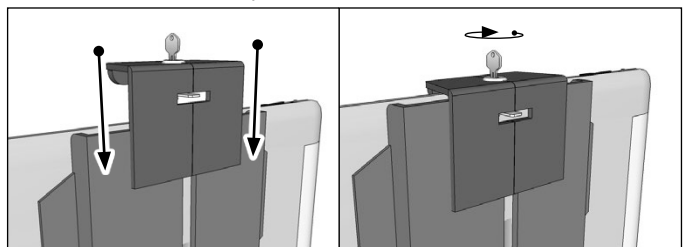
- 2 Unscrew the three screws/washers at the back/center of the holder to adjust the tablet holder's height to the tablet (not included). Retighten the screws/washers to secure.



- 3 Unscrew the screws at the bottom sides of the holder to adjust the tablet holder's width to the tablet. Tighten to secure.



- 4 To lock down tablet, close down on the locking arm on the top of the tablet and lock with key (included).



Safety Precautions

Arkon is not responsible for any damages caused to your device or yourself due to the installation or use of this mount.



The Mobile Mounting Specialists™

Consumer Hotline:

USA (800) 841-0884

INT'L (626) 254-9005

Monday - Friday 9 am - 5 pm, PST

www.arkon.com

Arcadia, CA 91006 USA

Designed in USA | Made in Taiwan

© Copyright 2017 Arkon Resources, Inc.