



**Package Contents:**

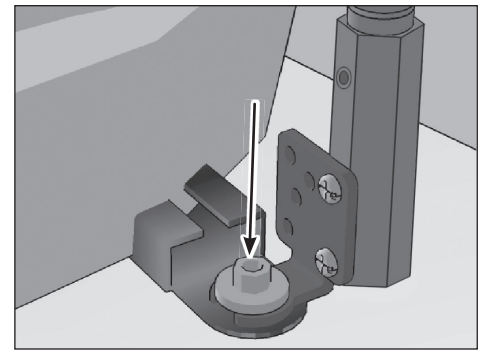
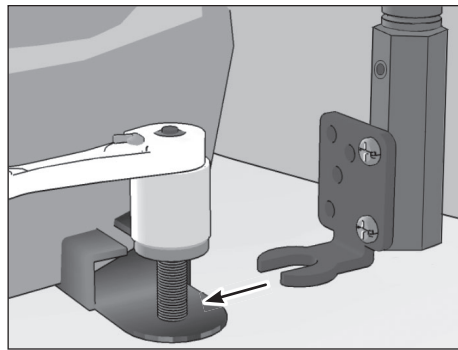
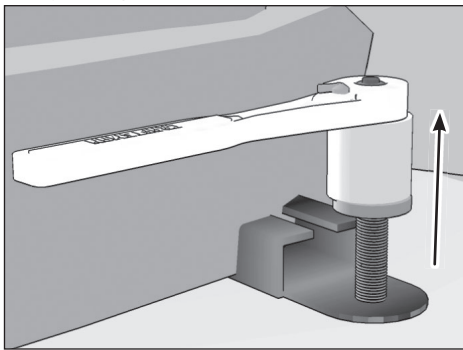
- (1) RM08825AL – 18" 25mm Seat Rail or Floor Pedestal
- (1) SP-RM250 – Robust Mount Shaft
- (1) APMAMP525MM – 25mm Ball to 4-Hole AMPS Adapter
- (1) TAB001-AMPS – Slim-Grip® Universal Tablet Holder with 4-Hole AMPS Mounting Pattern

**Warning:** Drilling into the dash, floor, or console may damage the vehicle. Use caution and consult a mobile install professional to avoid drilling into the gas tank, electrical system, or other highly sensitive vehicle components.

U.S. Pat. No. 6,585,212

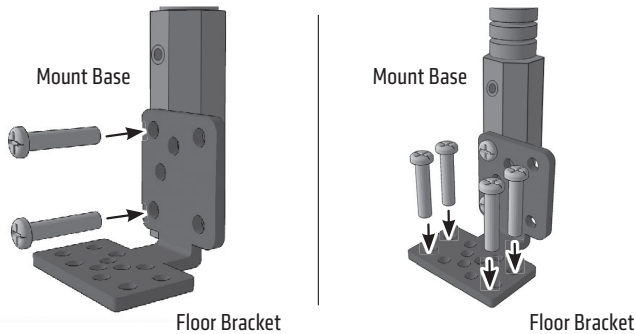
**Passenger Seat Bolt Mounting - Option 1:**

- 1 Use a socket wrench to loosen the passenger seat track bolt.
- 2 Insert the seat track bolt bracket.
- 3 Retighten the seat track bolt.



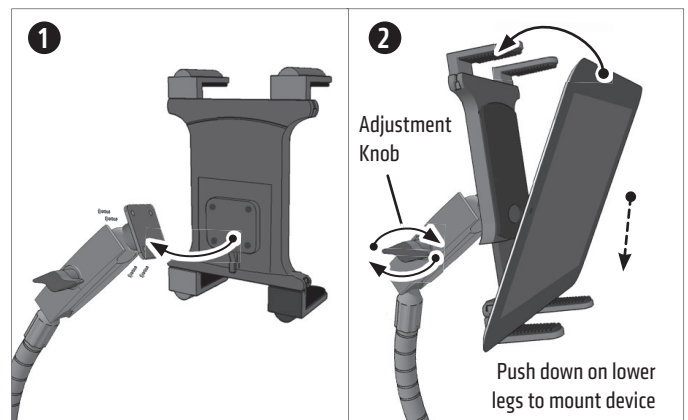
**Floor Mounting - Option 2**

Screw the floor bracket to the mount. (Depending on your vehicle, you may need to change the orientation of the bracket.) Attach the floor / console bracket with screws.



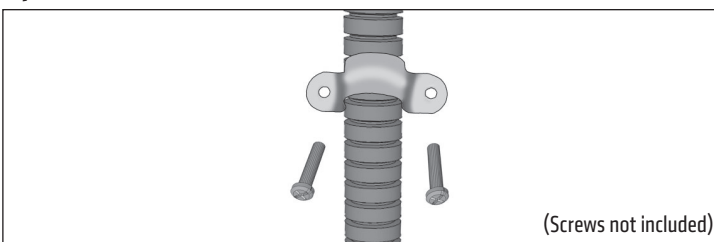
**Using the Slim-Grip Universal Tablet Holder**

Attach holder to the AMPS head using included screws. Insert tablet (not included) by placing it on the 2 lower legs and pushing down on the spring-loaded holder. Loosen adjustment knob to change position if needed.



The Slim-Grip Universal Tablet Holder fits tablets with 7" - 18.4" screen size. It includes 4 short, 2 medium, and 4 long support legs. Select a combination of 4 support legs in conjunction for use with the spring-loaded holder to achieve the perfect fit for your tablet.

**Optional:** Attach included metal conduit to console to minimize vibration.



**! Safety Precautions**

Do not install Arkon products over an air bag cover or within the air bag deployment zone. Arkon Resources, Inc. assumes no responsibility of liability for injury or death as a result of car crashes and/or air bag deployment.

Arkon Resources, Inc. is not responsible for any damages caused to your vehicle, device or yourself due to the installation or use of this mount.

**ARKON MOUNTS**

**Consumer Hotline:**

USA (800) 841-0884  
 INT'L (626) 254-9005  
 Monday - Friday 9 am - 5 pm, PST

[www.arkon.com](http://www.arkon.com)

Arcadia, CA 91006 USA

Designed in USA | Made in Taiwan and USA

© Copyright 2019 Arkon Resources, Inc.