

**Package Contents:**

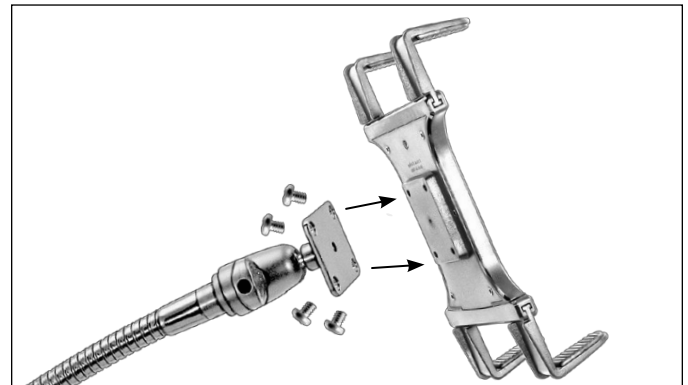
- (1) TAB001-AMPS - Slim-Grip® Universal Tablet Holder with 4-Hole AMPS Mounting Pattern
- (1) GN092-L28-AMPS - 28" Seat Rail Mount with Flexible Metal Gooseneck and AMPS Head
- (1) SPGN092BR -

The Slim-Grip Universal Tablet Holder fits tablets with 8.9" - 18.4" screen size. It includes 4 short, 2 medium, and 4 long support legs. Select a combination of 4 support legs in conjunction for use with the spring-loaded holder to achieve the perfect fit for your tablet.

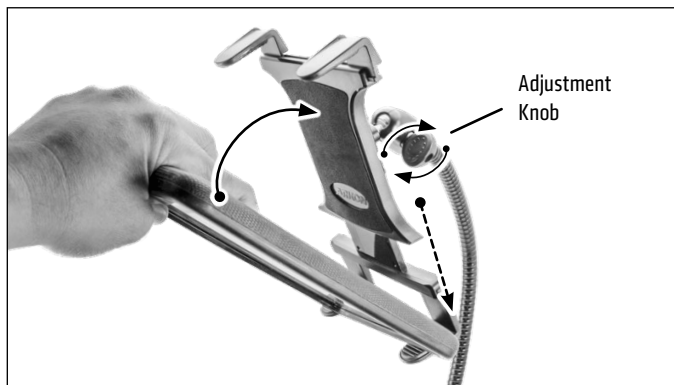
- 1 With a socket wrench, loosen the seat track bolt. Insert the seat track bolt bracket (choose the bracket that best fits your vehicle). Retighten the seat track bolt.



- 2 Attach tablet holder to the AMPS head using included screws.



- 3 Insert tablet by placing it on the 2 lower legs and pushing down on the spring-loaded holder. Loosen adjustment knob to change position if needed.



**⚠ Safety Precautions**

Arkon is not responsible for any damages caused to your vehicle, your device, your passengers or yourself due to the installation or use of this mount. Do not install Arkon products over an air bag cover or within the air bag deployment zone. Arkon Resources, Inc. assumes no responsibility of liability for injury or death as a result of car crashes and/or air bag deployment.

**ARKON® MOUNTS**

Consumer Hotline:  
 USA (800) 841-0884  
 INT'L (626) 254-9005  
 Monday - Friday 9 am - 5 pm, PST

[www.arkon.com](http://www.arkon.com)  
 Arcadia, CA 91006 USA  
 Designed in USA | Made in Taiwan  
 © Copyright 2019 Arkon Resources, Inc.