



TAB001



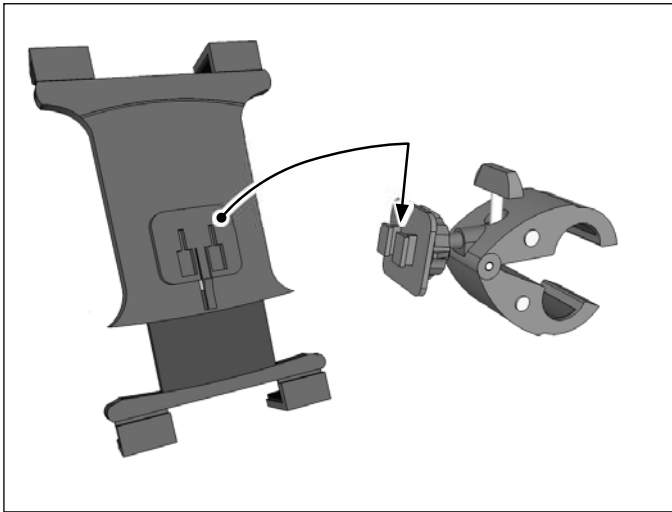
GN031-SBH-B

Package Contents:

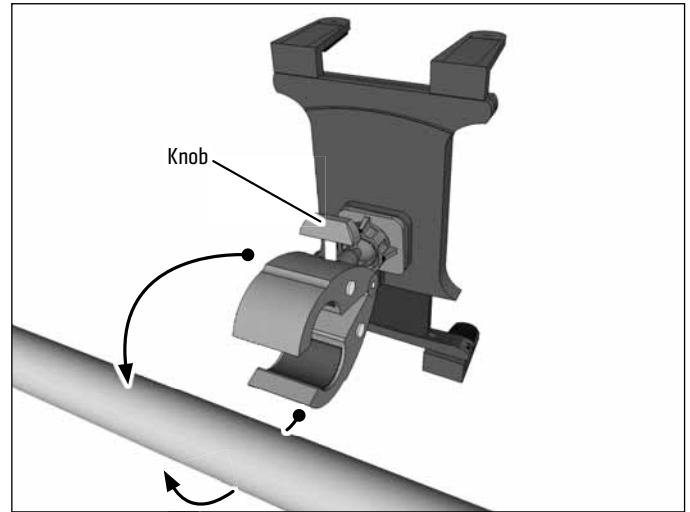
- (1) TAB001 – Slim-Grip Universal Tablet Holder
- (1) GN031-SBH-B – Clamp Post Mount with Dual-T Head

The Slim-Grip Universal Tablet Holder fits tablets with 8.9" - 18.4" screen size. It includes 4 short, 2 medium, and 4 long support legs. Select a combination of 4 support legs in conjunction for use with the spring-loaded holder to achieve the perfect fit for your tablet.

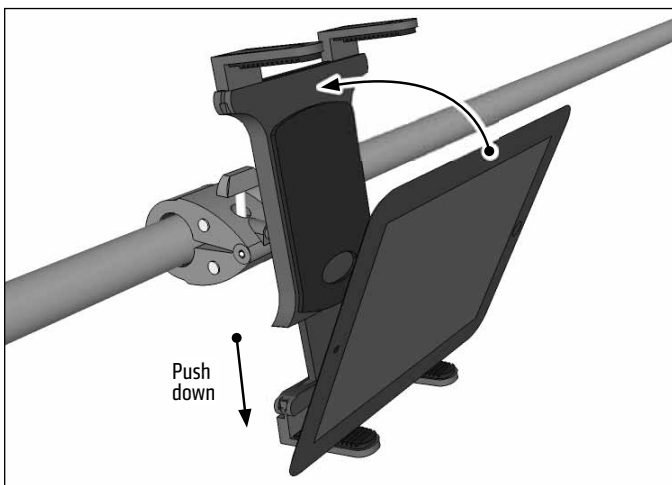
- 1 Attach holder by inserting the mount's Dual T-Tabs into the holder's Dual T-Slots.



- 2 Unscrew mount's knob to loosen grip. Place the mount around pole as desired, then retighten knob to secure.



- 3 Insert device by pushing down on lower legs of spring-loaded holder.



! Safety Precautions
 Arkon is not responsible for any damages caused to your device or yourself due to the installation or use of this mount.

ARKON
RESOURCES INC. The Mobile Mounting Specialists™

Consumer Hotline: www.arkon.com
 USA (800) 841-0884 Arcadia, CA 91006 USA
 INT'L (626) 254-9005 Designed in USA | Made in Taiwan
 Monday - Friday 9 am - 5 pm, PST © Copyright 2017 Arkon Resources, Inc.