



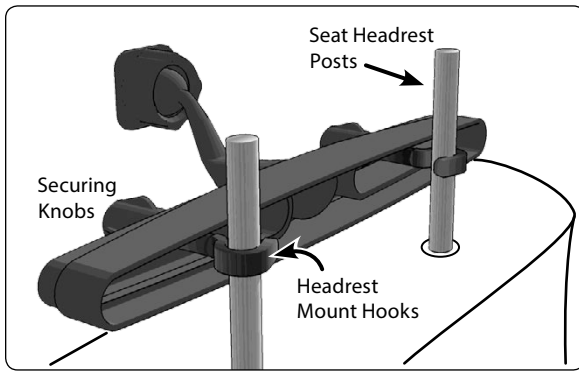
**Package Contents:**

- (1) HM002-SBH - Rear Seat Headrest Mount
- (1) TAB001 - Slim-Grip® Universal Tablet Holder

The Slim-Grip Universal Tablet Holder fits all tablets with 8.9" - 18.4" screen size. It includes 4 short, 2 medium, and 4 long support legs. Select a combination of 4 support legs in conjunction for use with the spring-loaded holder to achieve the perfect fit for your tablet.

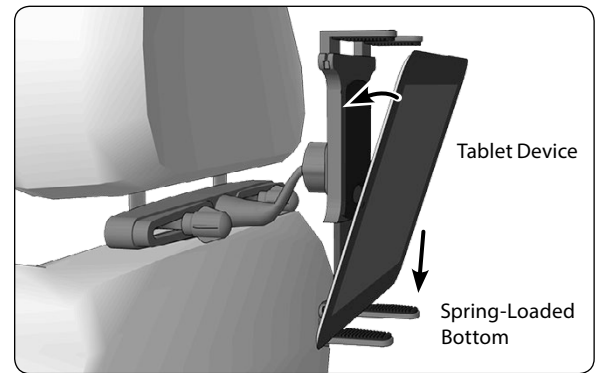
**1 Seat Headrest Mounting**

Raise the vehicle's headrest and place the headrest mount hooks around the headrest posts. Tighten the securing knobs.



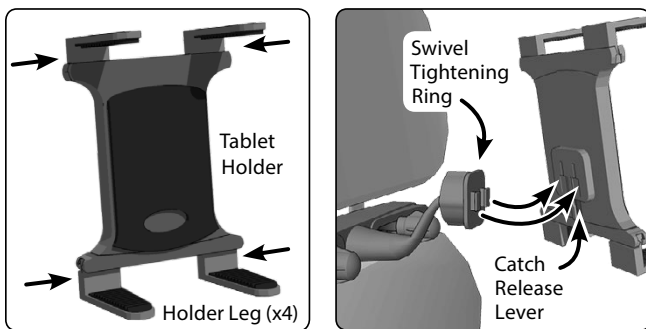
**3 Loading the Tablet**

While securing holder with one hand, press the tablet down on the lower holder legs which are spring loaded. Slide the top of the device under the top support legs and gently release pressure for a snug fit. If necessary, you can use the different size legs provided.



**2 Holder Assembly**

Slide four holder legs into the holder body and attach to head-rest mount by inserting the mount into the slots on the back of the holder. To remove the holder, depress the catch release lever and slide the holder off the extension mount.



**Safety Precautions**

Do not install Arkon products over an air bag cover or within the air bag deployment zone. Arkon Resources, Inc. assumes no responsibility of liability for injury or death as a result of car crashes and / or air bag deployment.

Arkon is not responsible for any damages caused to your car, your device, or yourself due to the installation or use of this pedestal mount.



The Mobile Mounting Specialists™

**Consumer Hotline:**

USA (800) 841-0884  
 INT'L (626) 254-9005  
 Monday - Friday 9 am - 5 pm, PST

[www.arkon.com](http://www.arkon.com)

Arcadia, CA 91006 USA  
 Designed in USA | Made in Taiwan  
 © Copyright 2017 Arkon Resources, Inc.