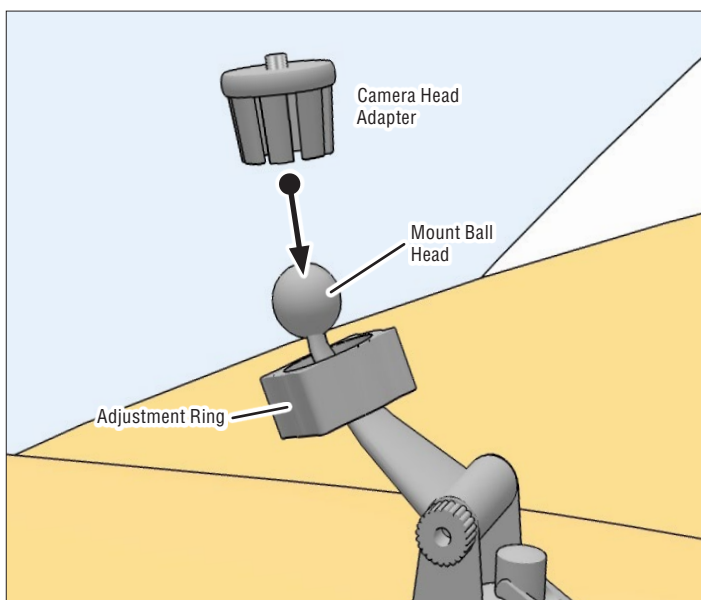


Package Contents:

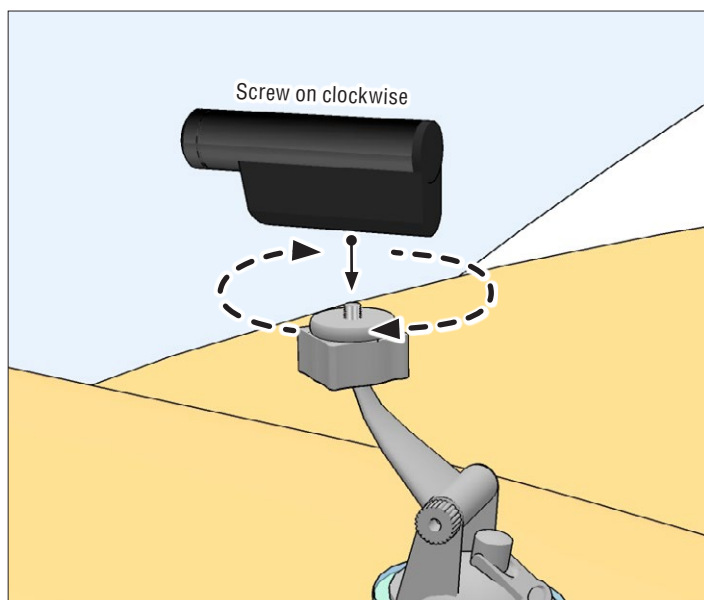


SP-SBH-KIT-CAM

1 Attach camera head adapter to the ball head on the mount.



2 Attach camera or device with 1/4" 20 mounting pattern to the mounting screw.



Safety Precautions

Arkon is not responsible for any damages caused to your vehicle, your device, or yourself due to the installation or use of this mount.