

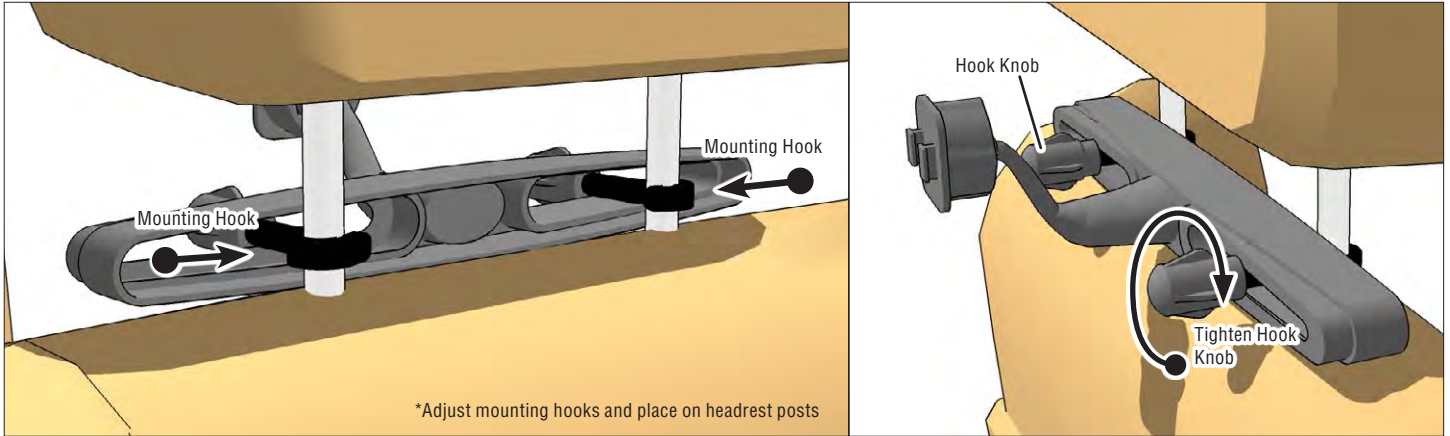
Package Contents:

HM002-SBH  
Headrest Mount

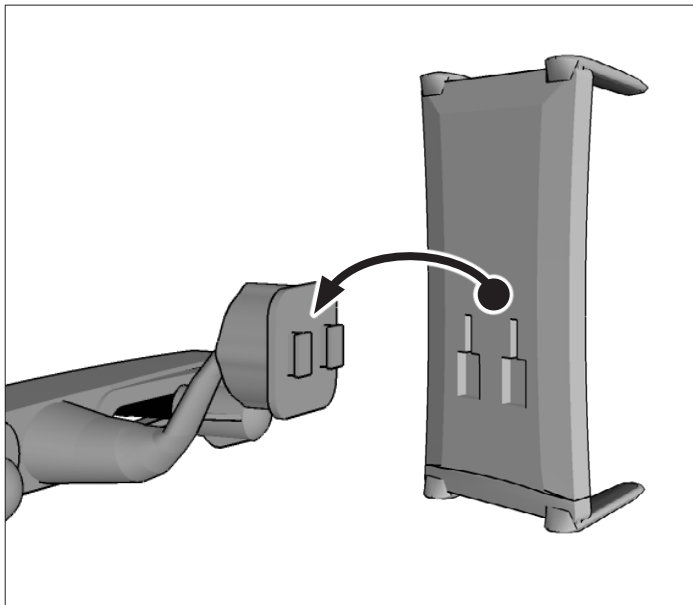


SM060-2  
Slim-Grip® Ultra™ Holder

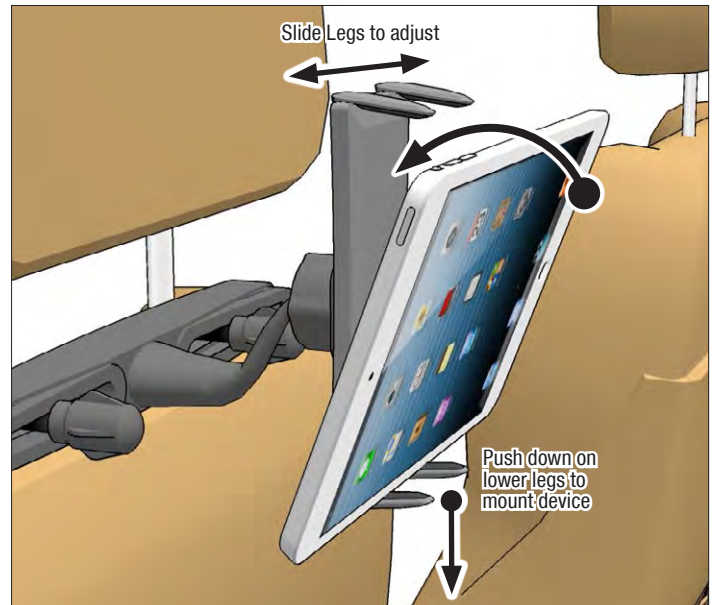
- 1 Attach mount to headrest using the mounting hooks, secure by tightening hook knobs.



- 2 Attach holder to headrest mount.



- 3 Place device in holder to mount.



**Safety Precautions**

Arkon is not responsible for any damages caused to your vehicle, your device, or yourself due to the installation or use of this pedestal mount.

Do not install Arkon products over an air bag cover or within the air bag deployment zone. Arkon Resources, Inc. assumes no responsibility of liability for injury or death as a result of car crashes and / or air bag deployment.