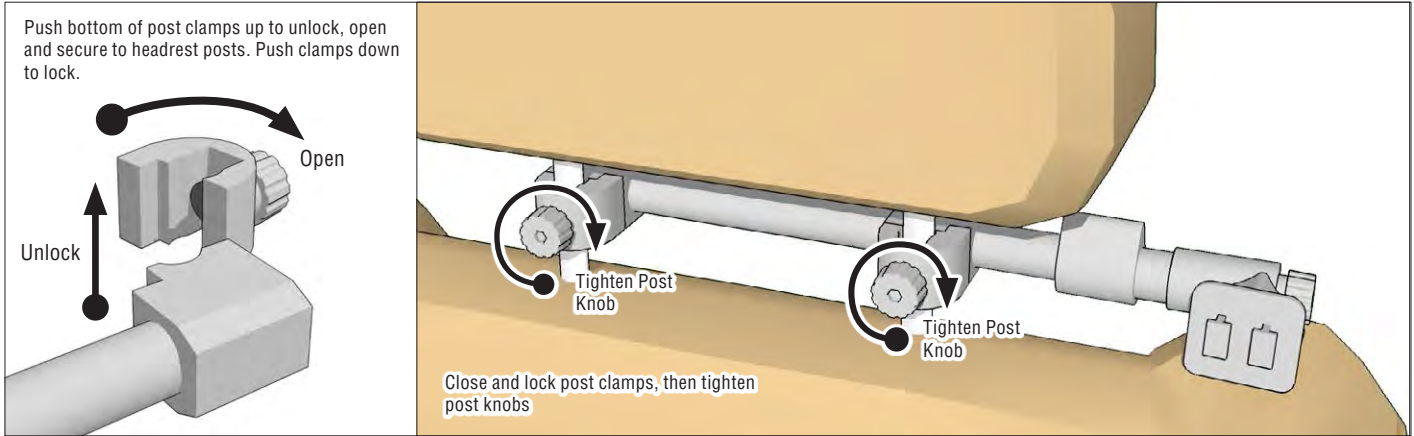


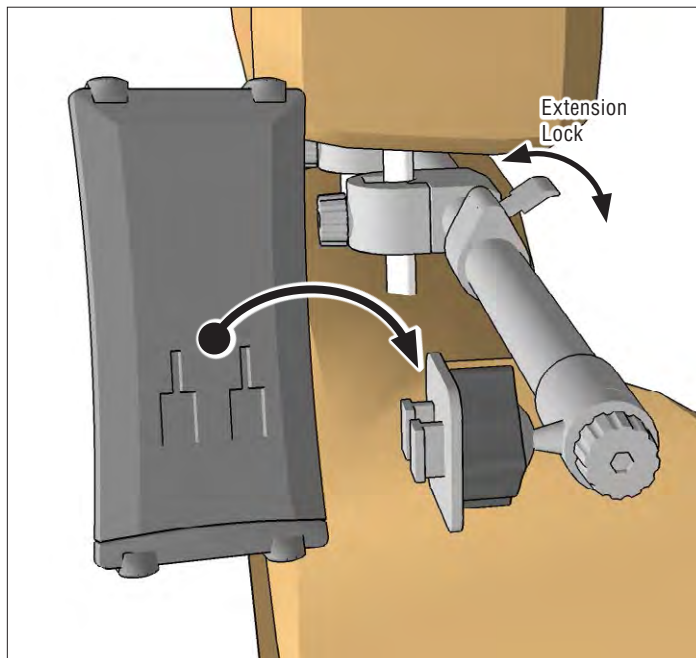
Package Contents:



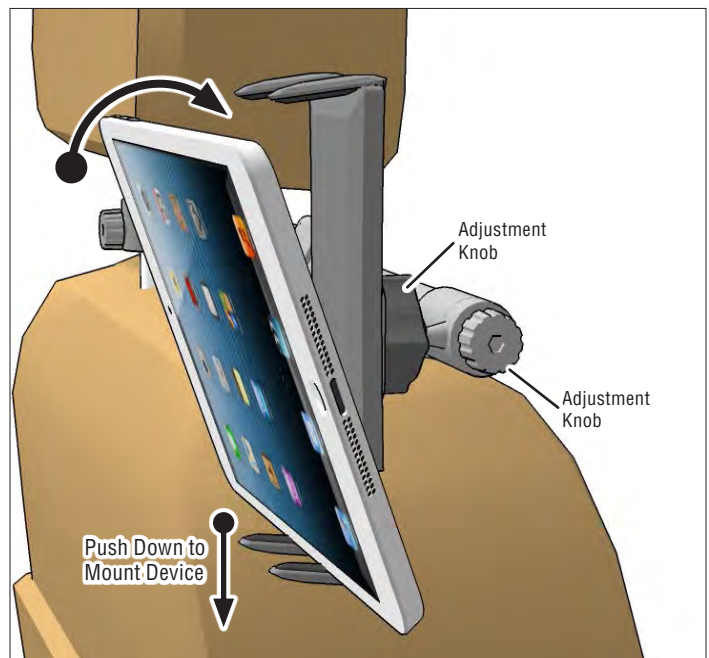
1 Attach mount to the headrest.



2 Attach holder to headrest mount.



3 To mount a device, push down on legs and place in holder.



Safety Precautions

Do not install Arkon products over or near an airbag cover or an air bag deployment zone. Arkon Resources, Inc. is not responsible and assumes no liability for injury or death as a result of a car crash and/or airbag deployment.

Arkon is not responsible for any damages caused to your vehicle, furniture, device, or yourself due to the installation or use of this product.