



**Package Contents:**

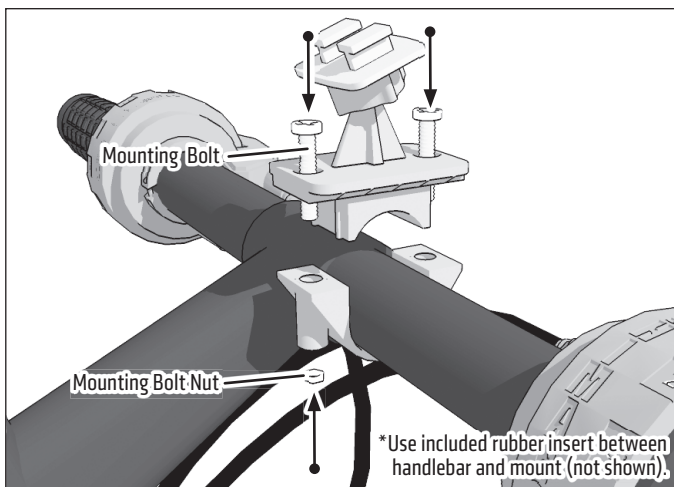
**SM060-2** – Slim-Grip® Ultra™ Universal Smartphone and Midsize Tablet Holder

**GN032-SBH** – Handlebar Mount

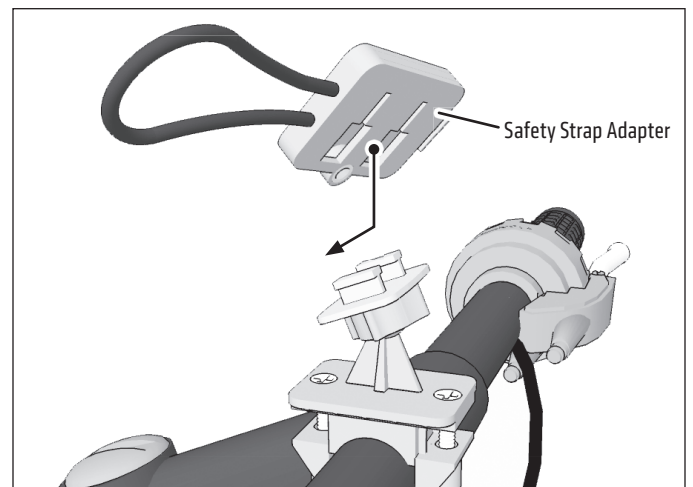
**APSTRAPSL** – Safety Strap Adapter Plate with Set Screws

**IMPORTANT:** Select the appropriate pairs of short or long support legs and install to the top and bottom of holder.

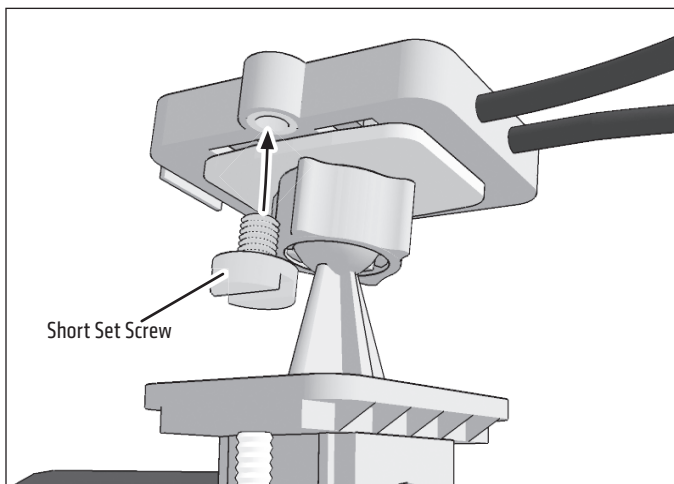
**1** Attach the mount to handlebar with a Philips screwdriver.



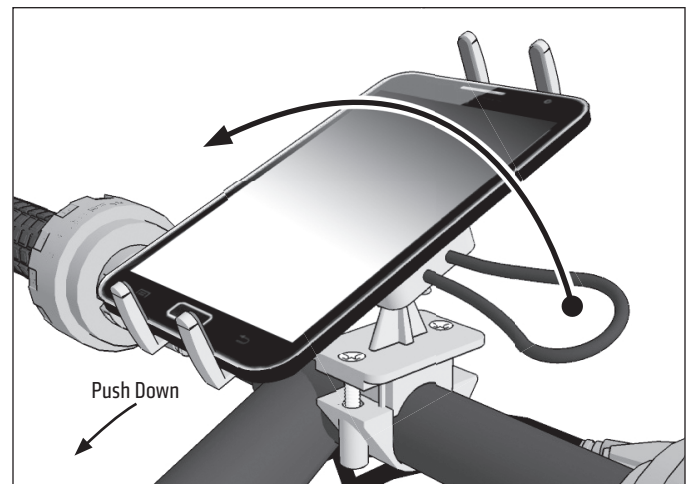
**2** Attach safety strap adapter to the bike mount.



**3** Insert the short set screw into the safety strap adapter.



**4** Attach holder and insert device by pushing down on lower legs to engage the spring-loaded mechanism.



NOTE: If necessary, use included long legs for large devices or cases.

**⚠ Safety Precaution**

Arkon is not responsible for any damages caused to your vehicle, your device, or yourself due to the installation or use of this mount.

**ARKON MOUNTS**

Consumer Hotline:

USA (800) 841-0884

INT'L (626) 254-9005

Monday - Friday 9am - 5pm, PST

[www.arkon.com](http://www.arkon.com)

Arcadia, CA 91006 USA

Designed in USA | Made in China

© Copyright 2019 Arkon Resources, Inc.