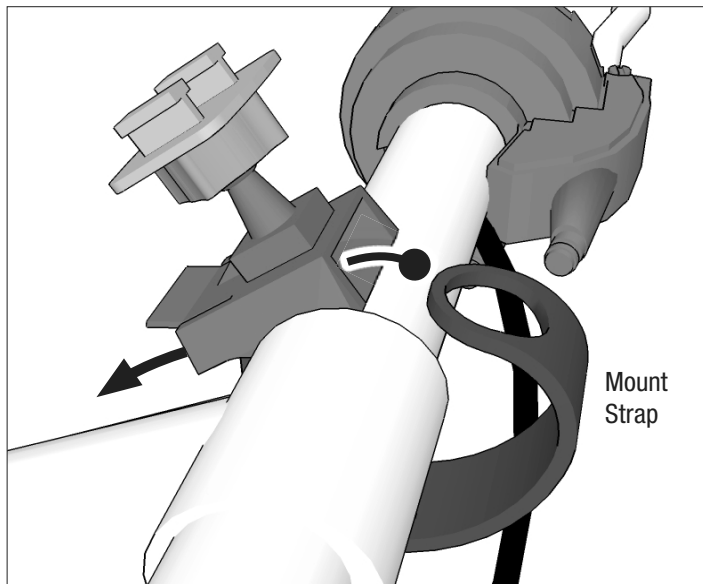


Package Contents:

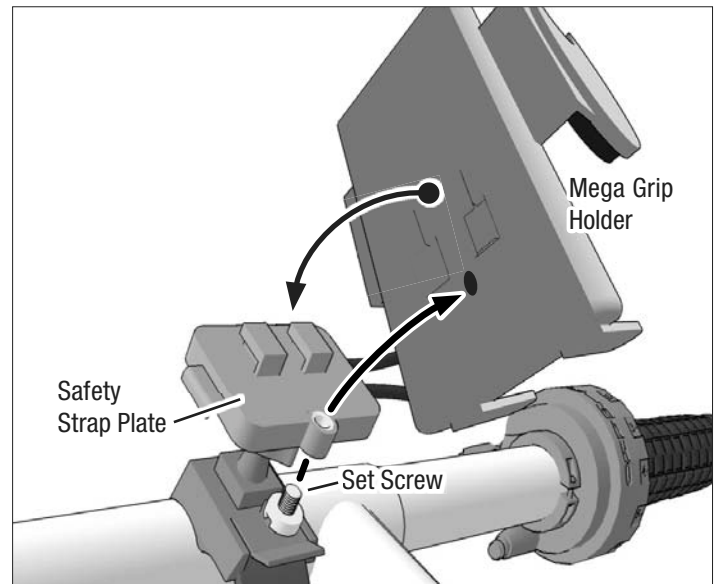


SM434
Mega Grip Quick-Release Strap Mount with Elastic Safety Strap

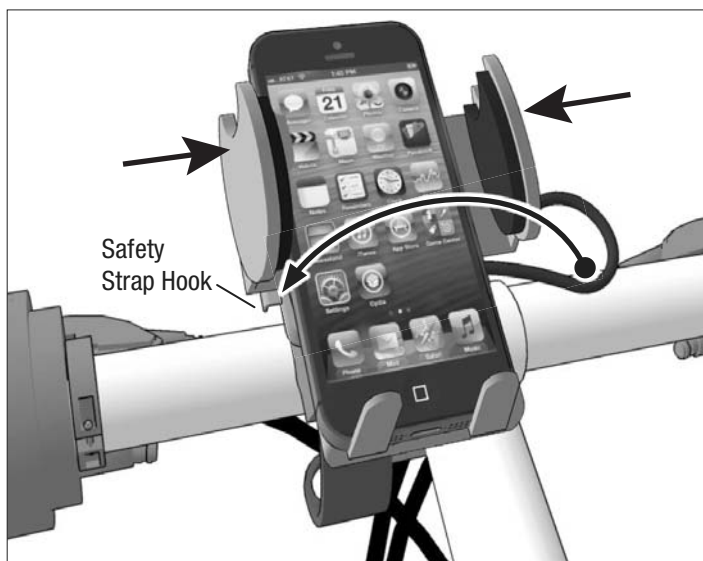
- 1** Place mount on handlebar. Wrap strap around handlebar and insert through slot on mount. Pull tightly to secure.



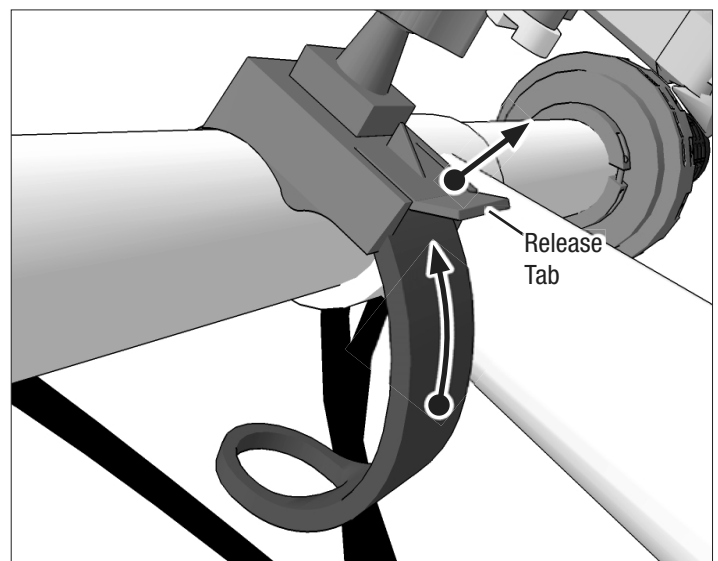
- 2** Attach safety strap plate to the Dual-T mount head and secure with set screw; attach Mega Grip holder to safety strap plate.



- 3** Insert device and squeeze arms to close. Secure with safety strap by looping strap to the hook on safety strap plate.



- 4** Remove mount by pulling up release tab and pushing strap back through slot.



Safety Precautions

Arkon is not responsible for any damages caused to your vehicle, your device, or yourself due to the installation or use of this mount.