

## Package Contents:

- (1) GN032-SBH - Bicycle Handlebar Mount
- (1) SM040-2 - Universal Holder with adjustable legs
- (1) APLSSTRAP - Bungee Strap Attachment Plate

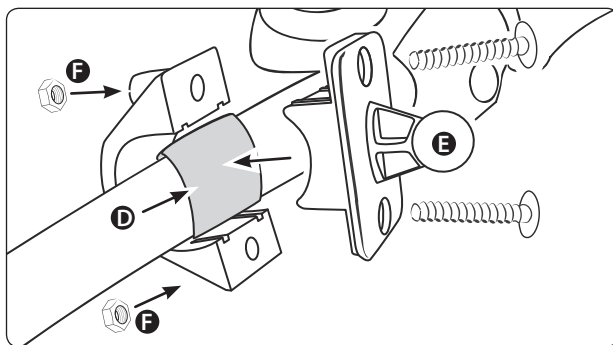


SM432 - Bicycle Handlebar Mount with Mega Grip Universal Holder

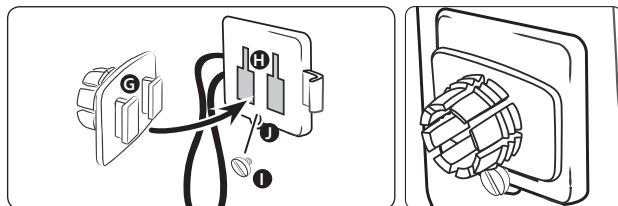
Fits handlebars up to 33mm diameter. Compatible with most straight, drop, trekking, touring, and standard (25.4mm and 26mm) size handlebars. Also for use with golf carts, ATVs, snowmobiles, hang gliders, or other apparatus having cylinder-shaped frames or posts.

**! Caution:** Arkon strongly recommends using the securing APLSSTRAP bungee strap plate to provide extra protection for your device. Failure to do so may result in damage to your device. Do not operate portable devices while riding. Arkon Resources, Inc. assumes no liability for safety of bicycle rider or portable device.

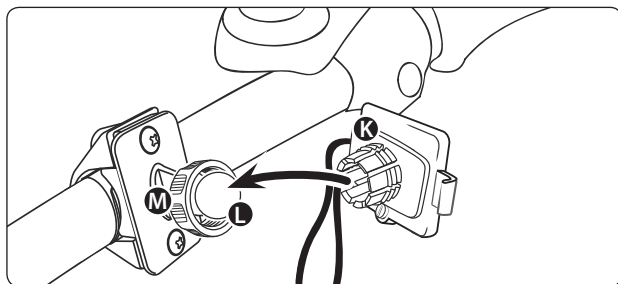
- 1** Wrap the rubber rings (D) around the handlebar and reassemble the ball plate and swivel head (E). Secure the mount by retightening the two mounting screws into the screw nuts (F) through the screw holes.



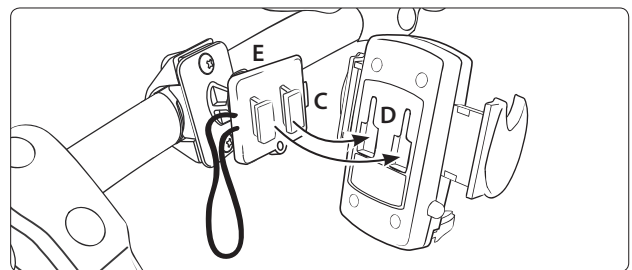
- 2** Connect the Dual T-Tabs (G) to the Dual T-Slots (H) on the bungee strap plate. Insert the set screw (I) tightly to prevent the bungee plate from slipping off while in motion.



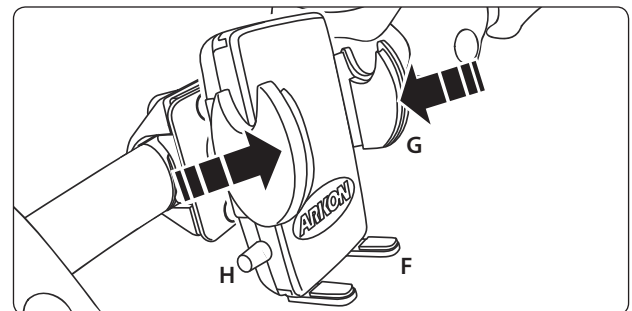
- 3** Snap the Dual-T swivel ball head (K) onto the handlebar mount ball (L). Adjust the angle as needed and screw the tightening ring (M) onto the adapter plate until in place.



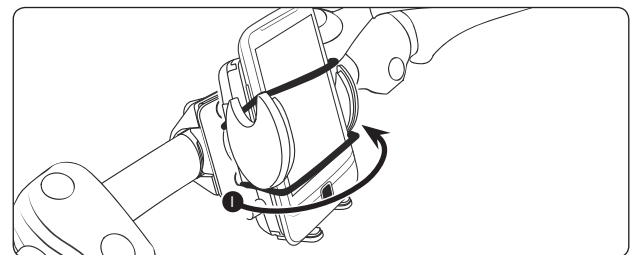
- 4** Attach the Mega Grip holder to the bungee strap plate by firmly inserting the Dual T-Tabs (C) into the Dual T-Slots (D) on the back of the holder. Adjust the angle and rotation of the head by tightening the swivel-tightening ring (E).



- 5** Place the phone into the holder with the device sitting on the support legs (F). Clamp the grip arms (G) inward to hold the device. Press the Release button (H) to open the arms.



- 6** Secure the device by wrapping the bungee strap (I) around the front of the device and attaching it to the hook on the bungee strap plate.



## ! Safety Precautions

Do not reposition the pedestal while cycling or driving. Arkon Resources, Inc. does not promote the adjustment of mobile devices except when the bicycle or vehicle is safely parked or stopped.

Arkon is not responsible for any damages caused to your bicycle, your device, or yourself due to the installation or use of this product.

**ARKON**<sup>®</sup>  
**RESOURCES INC.** The Mobile Mounting Specialists™

Consumer Hotline:

USA (800) 841-0884

INT'L (626) 254-9005

Monday - Friday 9 am - 5 pm, PST

[www.arkon.com](http://www.arkon.com)

Arcadia, CA 91006 USA

Designed in USA | Made in Taiwan and China

© Copyright 2014 Arkon Resources, Inc.