


SM421 | Universal Lighter Socket with Power Outlet Mount Kit



Package Contents:

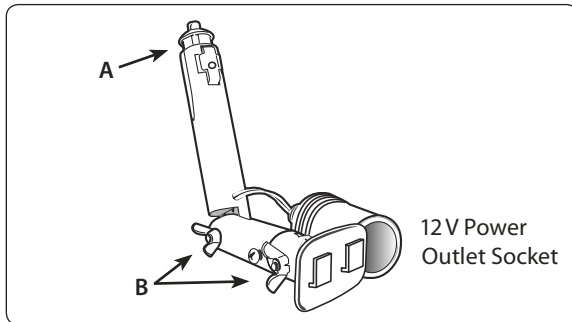
- (1) CM097-2 - 12V / Lighter socket mount with additional power outlet
- (1) SM040-2 - Universal phone cradle

No tools required for installation.

 Do not place mount in or near an air bag deployment zone or where it will obstruct view of the road.

12V / Lighter Socket Mounting

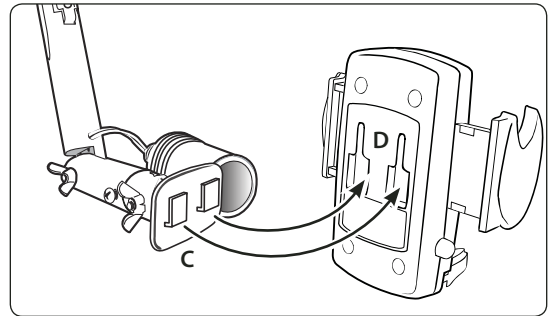
- Step 1. Insert the DC Power plug (A) completely into the vehicle's 12V / lighter socket.



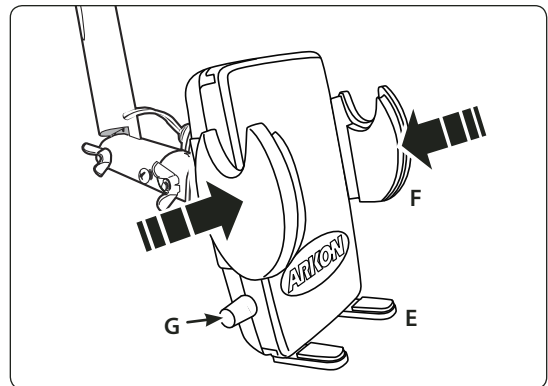
- Step 2. Adjust the angle of the pedestal arm by tightening the wing nuts (B) to the desired placement angle.

Universal Cradle Attachment and Device Insertion

- Step 1. Attach the universal cradle to the mount by inserting the dual T-Tabs on the pedestal head (C) into the dual T-slots on the back of the cradle (D).



- Step 2. Place the phone or device into the cradle with the device sitting on the support legs (E). Clamp the grip arms (F) inward to firmly grasp the device. Press the Release button (G) to open the arms.



Safety Precautions

Do not install Arkon products over an air bag cover or within the air bag deployment zone. Arkon Resources, Inc. assumes no responsibility of liability for injury or death as a result of car crashes and/or air bag deployment.

Arkon is not responsible for any damages caused to your car, your device, or yourself due to the installation or use of this pedestal mount.

ARKON®
RESOURCES INC.

The Mobile Mounting Specialists™

Consumer Hotline:

USA (800) 841-0884

INT'L (626) 254-9005

Monday - Friday 9 am - 5 pm, PST

www.arkon.com

Arcadia, CA 91006 USA

Designed in USA | Made in China and Taiwan

© Copyright 2010 Arkon Resources, Inc.