



SP25MMCAM



SP-RMS



APAMPS25MM

**Package Contents:**

(1) SP25MMCAM – 25mm Ball to 1/4"-20 Camera Head Adapter

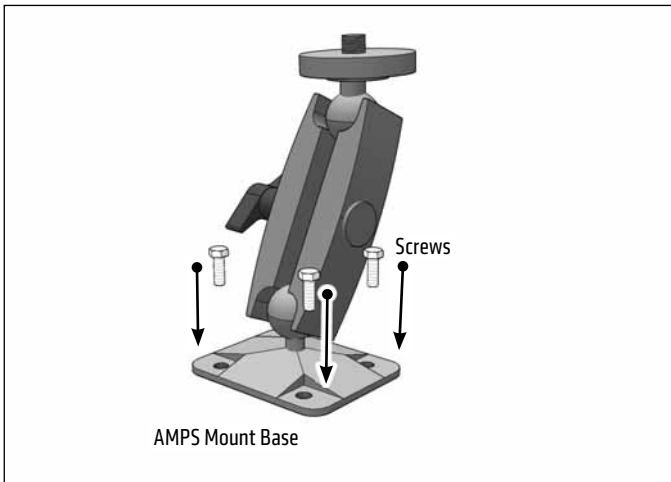
(1) SP-RMS – Robust Mount Small Shaft

(1) APAMPS25MM – 25mm Ball to 4-Hole AMPS Adapter

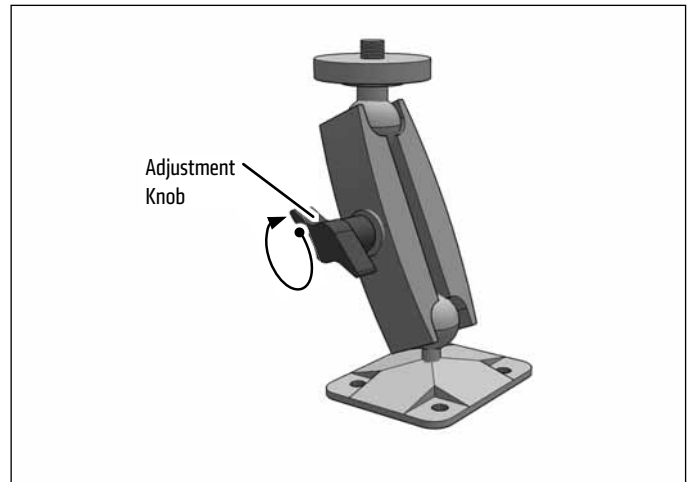
Compatible with cameras and video cameras utilizing the 1/4"-20 camera pattern.

Screws not included.

- Using a screwdriver and/or drill, attach the 4-Hole AMPS mount base to flat surface with 4 screws (not included).



- Loosen adjustment knob to adjust angle of pedestal and position of camera mounting ball. Retighten to secure.



- Attach small camera/video camera (not included, sold separately) by screwing the 1/4"-20 bolt into the tripod socket of the camera.



**Safety Precautions**

Do not install Arkon products over an air bag cover or within the air bag deployment zone. Arkon Resources, Inc. assumes no responsibility of liability for injury or death as a result of car crashes and / or air bag deployment.

Arkon is not responsible for any damages caused to your vehicle, your device, or yourself due to the installation or use of this mount.



*The Mobile Mounting Specialists™*

Consumer Hotline:

USA (800) 841-0884

INT'L (626) 254-9005

Monday - Friday 9 am - 5 pm, PST

[www.arkon.com](http://www.arkon.com)

Arcadia, CA 91006 USA

Designed in USA | Made in Taiwan

© Copyright 2015 Arkon Resources, Inc.