



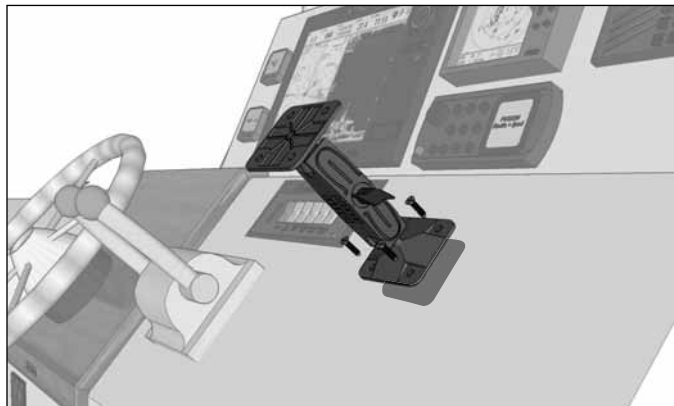
Package Contents:

- (1) APEQUIP – Metal Equipment Mounting Plate
- (1) RM2XAMPS – Robust Series 4-Hole AMPS Mounting Pedestal with 4-Hole AMPS Head

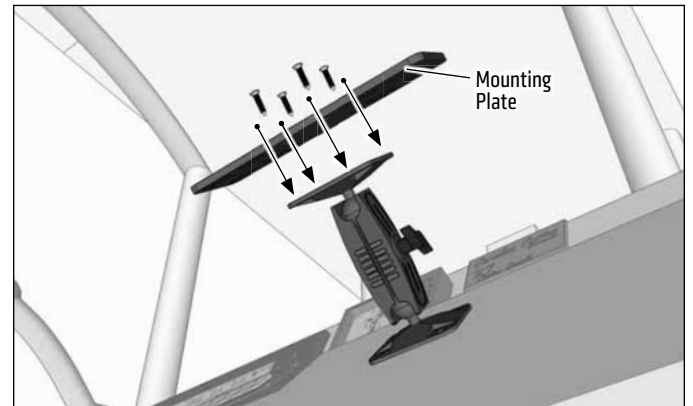
Optional: Attach other various accessories to RMEQUIP, including batteries, CB radios, and audio receivers. The plate can also be used as a splitter plate.

NOTE: 4 center holes are recessed and in 4-hole AMPS pattern; spaced at 30.17mm x 38.05mm (measured as the center-to-center distance between holes)

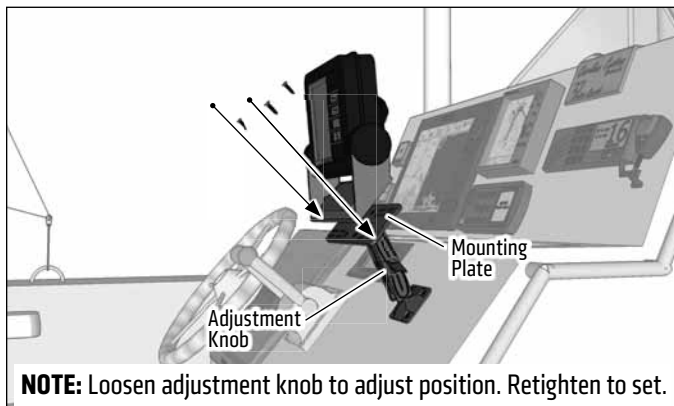
- 1 Attach the pedestal to the mounting surface through the AMPS base plate. Choose the screws (not included) that will work best on the chosen mounting surface.



- 2 Using a screwdriver and/or drill, attach the mounting plate to the pedestal using 4 bolts (not included).



- 3 Attach your electronic fishfinder or other marine radio to the mounting plate through the AMPS base plate. Choose the screws (not included) that will work best to mount your device.



NOTE: Loosen adjustment knob to adjust position. Retighten to set.

ARKON
RESOURCES INC. The Mobile Mounting Specialists™

Consumer Hotline:
USA (800) 841-0884
INT'L (626) 254-9005
Monday - Friday 9 am - 5 pm, PST

www.arkon.com
Arcadia, CA 91006 USA
Designed in USA | Made in Taiwan
© Copyright 2015 Arkon Resources, Inc.