

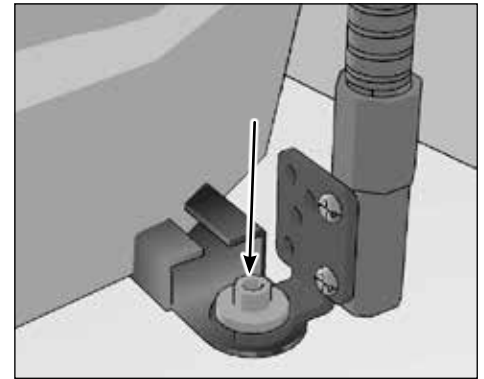
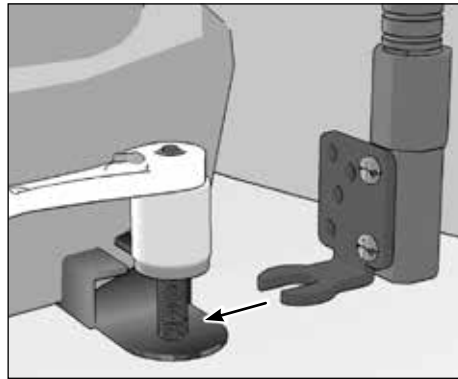
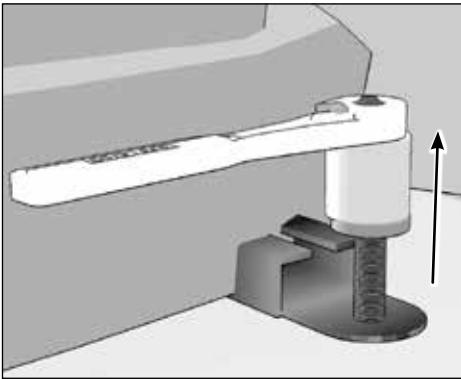
Package Contents:

- (1) RM08825MM – 18" 25mm Seat Rail or Floor Pedestal
- (1) SP-RM250 – Robust Mount Shaft
- (1) APMAMPS25MM – 25mm Ball to Metal 4-Hole AMPS Adapter

Warning: Drilling into the dash, floor, or console may damage the vehicle. Use caution and consult a mobile install professional to avoid drilling into the gas tank, electrical system, or other highly sensitive vehicle components.

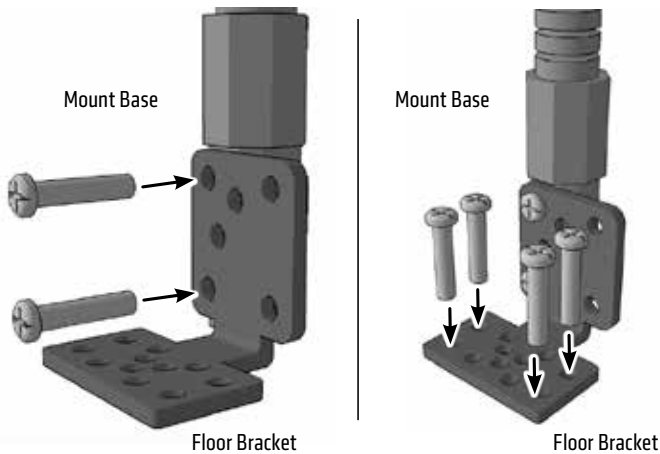
Passenger Seat Bolt Mounting - Option 1:

- 1 Use a socket wrench to loosen the passenger seat track bolt.
- 2 Insert the seat track bolt bracket.
- 3 Retighten the seat track bolt.

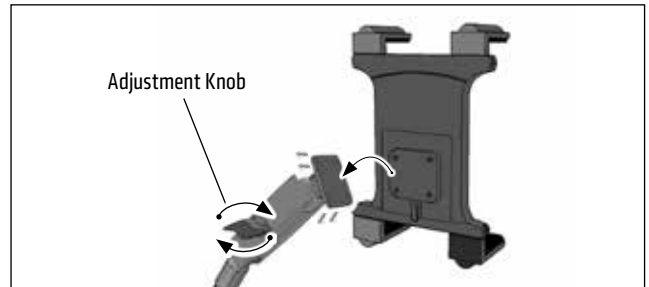


Floor Mounting - Option 2

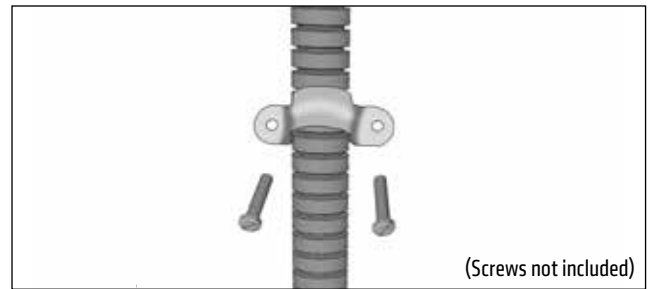
Screw the floor bracket to the mount. (Depending on your vehicle, you may need to change the orientation of the bracket.) Attach the floor / console bracket with screws.



Attach any AMPS-compatible device, holder, or adapter (not included, sold separately) to the AMPS head using appropriate screws (not included). Loosen adjustment knob to set device at desired angle and then retighten.



Optional: Attach included metal conduit to console to minimize vibration.



! Safety Precautions

Do not install Arkon products over an air bag cover or within the air bag deployment zone. Arkon Resources, Inc. assumes no responsibility of liability for injury or death as a result of car crashes and/or air bag deployment.

Arkon Resources, Inc. is not responsible for any damages caused to your vehicle, device or yourself due to the installation or use of this mount.

ARKON MOUNTS

Consumer Hotline:

USA (800) 841-0884
 INT'L (626) 254-9005
 Monday - Friday 9 am - 5 pm, PST

www.arkon.com

Arcadia, CA 91006 USA

Designed in USA | Made in Taiwan and USA

© Copyright 2018 Arkon Resources, Inc.