



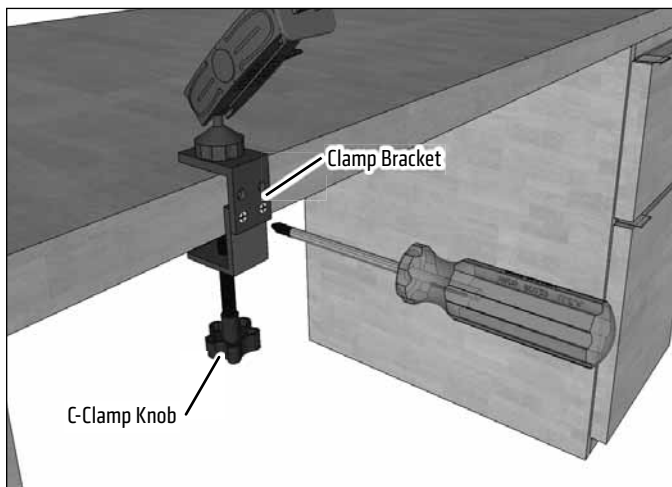
RM0862T

Package Contents:

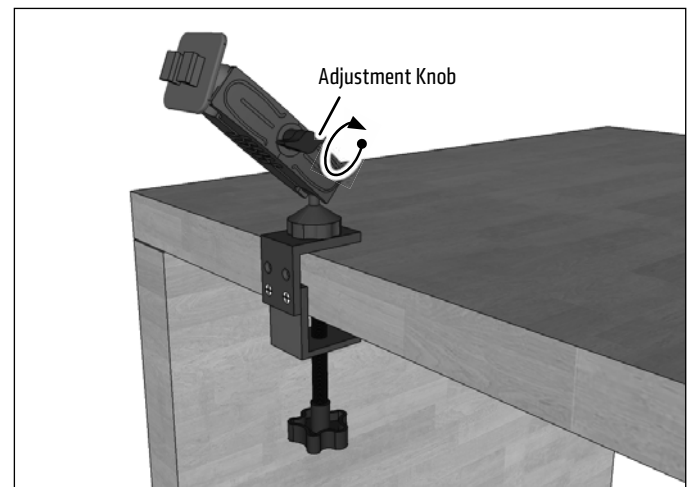
RM0862T – Heavy-Duty C-Clamp Mounting Pedestal

NOTE: C-clamp opens as wide as 2.25 inches and closes as tight as .25 inches.

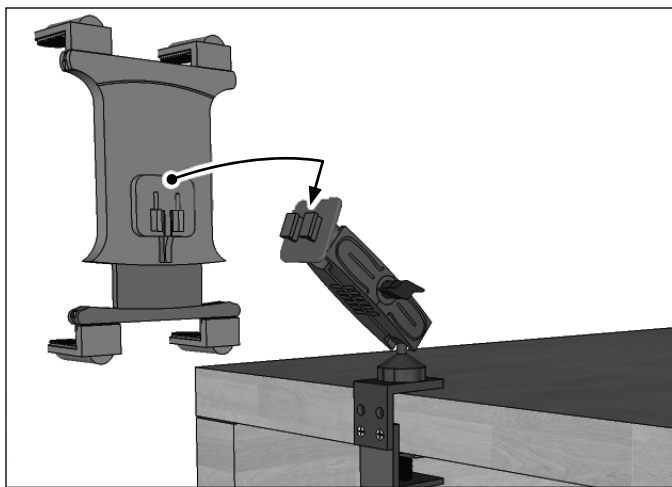
- 1 Attach mount to surface by tightening C-Clamp knob; adjust the clamp bracket if necessary with a Phillips screwdriver.



- 2 Loosen adjustment knob to adjust position. Retighten to set to desired angle.



- 3 Attach any Arkon Dual-T compatible holder (sold separately) by sliding the Dual T-Tabs into the Dual T-Slots.



! Safety Precautions

Arkon is not responsible for any damages caused to your device or yourself due to the installation or use of this pedestal mount.

ARKON
RESOURCES INC.

The Mobile Mounting Specialists™

Consumer Hotline:

USA (800) 841-0884

INT'L (626) 254-9005

Monday - Friday 9 am - 5 pm, PST

www.arkon.com

Arcadia, CA 91006 USA

Designed in USA | Made in Taiwan

© Copyright 2016 Arkon Resources, Inc.