



MG295

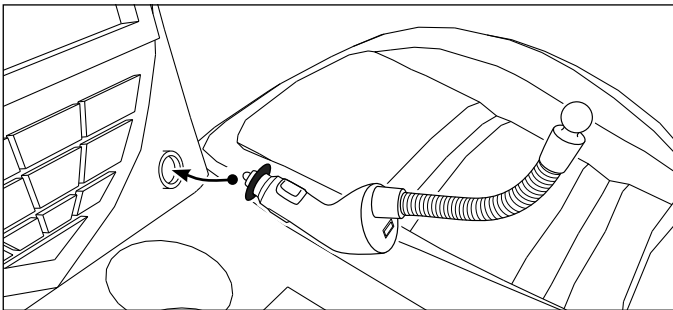
**Package Contents:**

- (1) GN095 - 5V, 1 Amp Lighter Socket Mount
- (1) MG002 - Mobile Grip 2 Universal Smartphone Holder
- (1) SP-SB-RING - Swivel Adjustment Ring

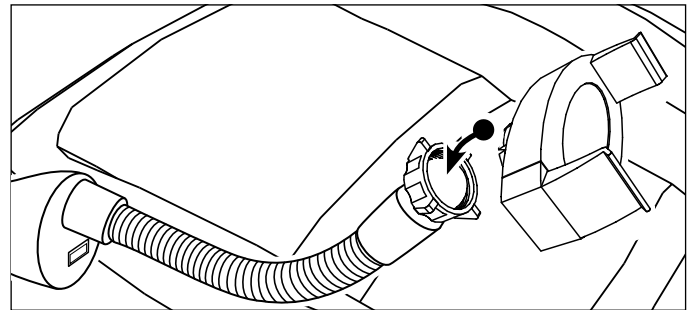
Note: this lighter socket mount may not be suitable for some vehicles based on the location of the lighter socket / accessory outlet on the console.

The Mobile Grip 2 Universal Holder accommodates all phones with cases and other devices up to 3.6" wide.

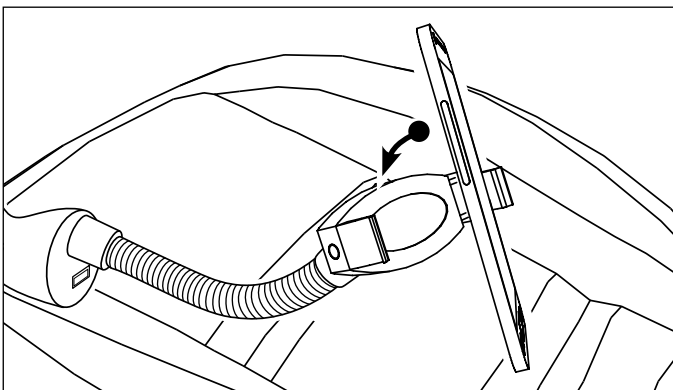
- 1** Firmly insert mount into vehicle's lighter socket. Adjust the angle of the gooseneck shaft by bending to desired location.



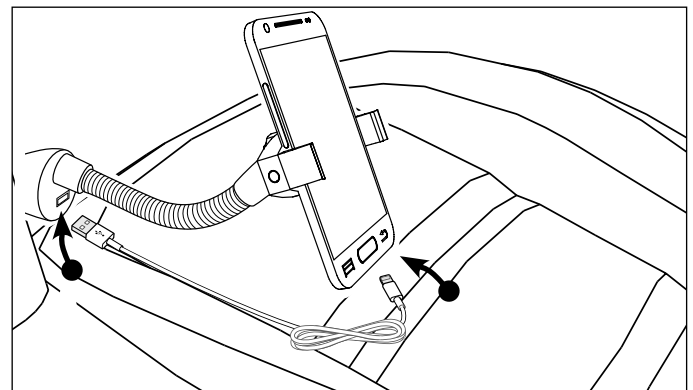
- 2** Place adjustment ring over the pedestal ball. Snap Mobile Grip 2 Universal Holder onto the pedestal and secure by tightening adjustment ring.



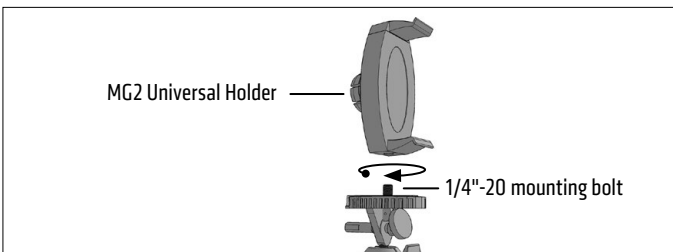
- 3** Insert device by pushing against the spring-loaded support leg.



- 4** Insert device's USB cable (sold separately) into mount's built-in USB slot to charge device.



**OPTIONAL:** Remove the rubber insert on the side of the Mobile Grip 2 Universal Holder to reveal a 1/4"-20 threaded camera mounting pattern for use on tripods (not included, sold separately).



**⚠ Safety Precautions**

Do not install Arkon products over an air bag cover or within the air bag deployment zone. Arkon Resources, Inc. assumes no responsibility of liability for injury or death as a result of car crashes and / or air bag deployment.

Arkon is not responsible for any damages caused to your vehicle, your device, or yourself due to the installation or use of this mount.

**ARKON MOUNTS**

**Consumer Hotline:**

**USA** (800) 841-0884

**INT'L** (626) 254-9005

Monday - Friday 9 am - 5 pm, PST

**www.arkon.com**

Arcadia, CA 91006 USA

Designed in USA | Made in China

© Copyright 2019 Arkon Resources, Inc.