



Package Contents:

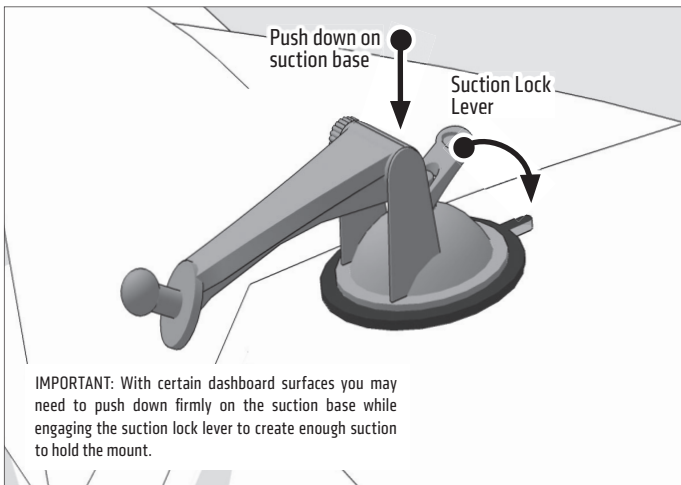
- (1) MG002 – Mobile Grip 2 Universal Smartphone Holder
- (1) GN079 – Multi-Surface Sticky Suction Mounting Pedestal
- (1) AP013 – 80mm Adhesive Disk
- (1) SP-SB-RING - Swivel Adjustment Ring

DASHBOARD MOUNTING WARNING: THE STICKY SUCTION PEDESTAL SHOULD NOT BE USED ON SOME TYPES OF DASHBOARDS. IT MAY LEAVE A PERMANENT INDENTATION ON DASHBOARD SURFACES MADE OF SOFT VINYL, LEATHER, OR SIMILAR MATERIALS. TO PREVENT PERMANENT INDENTATION MARKS, USE THE INCLUDED ADHESIVE MOUNTING DISK WHEN MOUNTING ON SOFT DASHBOARD SURFACES.

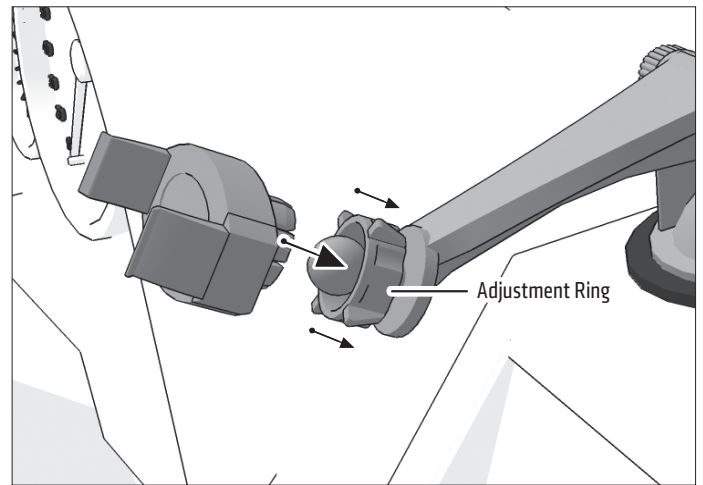
The Mobile Grip 2 Universal Holder accommodates all phones with cases and other devices up to 3.6" wide.

*If the sticky suction base becomes dirty or loses stickiness, rinse under warm water with mild liquid soap and let air dry.

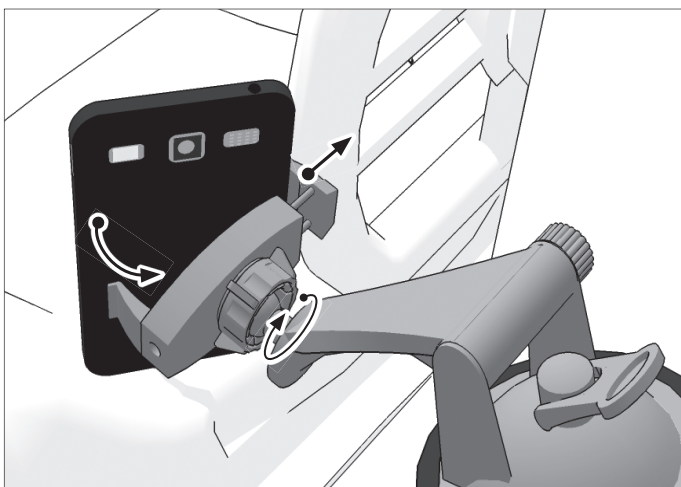
1 Attach pedestal to dash or windshield, engage suction lock.



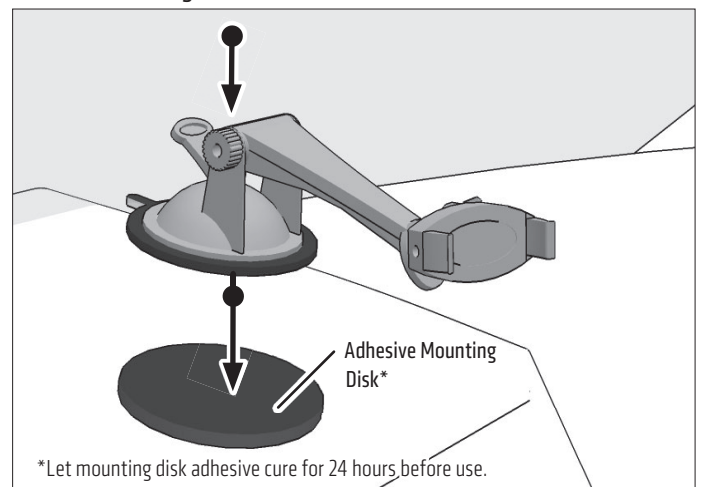
2 Place adjustment ring over the pedestal ball and snap Mobile Grip 2 Universal Holder onto the pedestal.



3 Insert device and tighten ring to set position.



OPTIONAL: For use on soft vinyl or leather dashboards, use included adhesive mounting disk*.



! Safety Precautions
Do not install Arkon products over an air bag cover or within the air bag deployment zone. Arkon Resources, Inc. assumes no responsibility of liability for injury or death as a result of car crashes and / or air bag deployment.

Arkon is not responsible for any damages caused to your vehicle, your device, or yourself due to the installation or use of this mount.

ARKON MOUNTS

Consumer Hotline: www.arkon.com
 USA (800) 841-0884 Arcadia, CA 91006 USA
 INT'L (626) 254-9005 Designed in USA | Made in China
 Monday - Friday 9am - 5pm, PST © Copyright 2019 Arkon Resources, Inc.