



MC2CSBH



WPCS5-SM



Package Contents:

(1) MC2CSBH – Motorcycle Handlebar Mounting Pedestal - Chrome

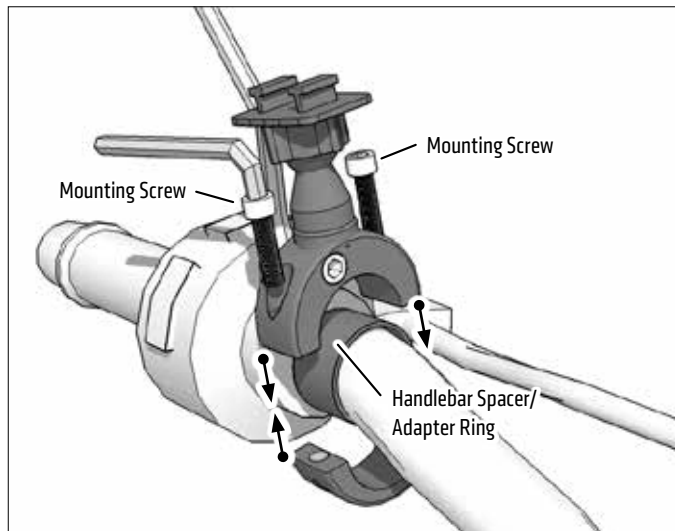
(1) WPCS5-SM – Water-Resistant Case for Smartphone or GPS

The Premium Motorcycle Mount comes with 3 handlebar spacer/adaptor rings of different sizes. Select the appropriate size for optimum mounting to your handlebar.

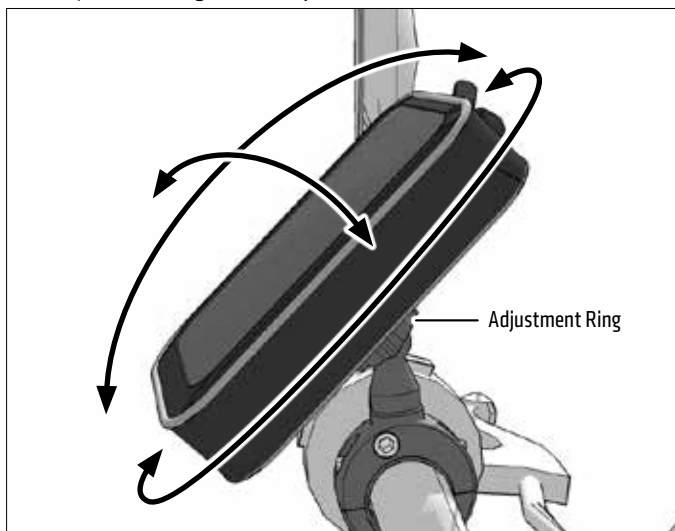
Device Compatibility:

Compatible with smartphones up to 5.95”H x 3.12”W x .33”D including iPhone® 6, Samsung Galaxy Note® 4, Galaxy S®6, and LG G3

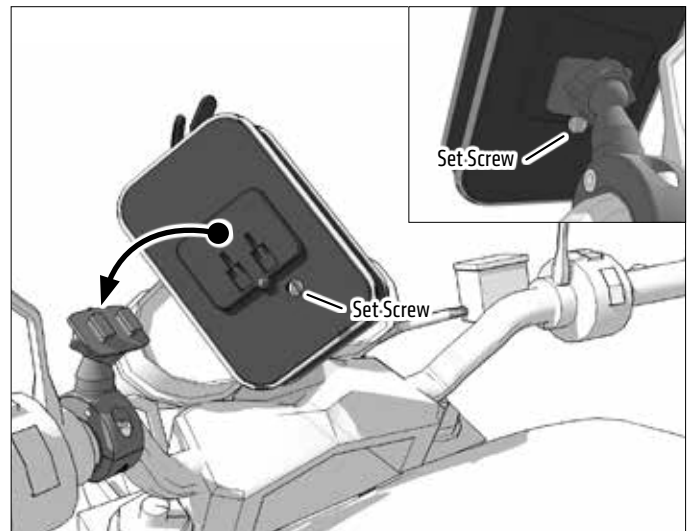
- 1 Place handlebar spacer/adaptor ring around handlebar. Attach mount to handlebar around spacer. Use the included hex key to securely tighten both mounting screws.



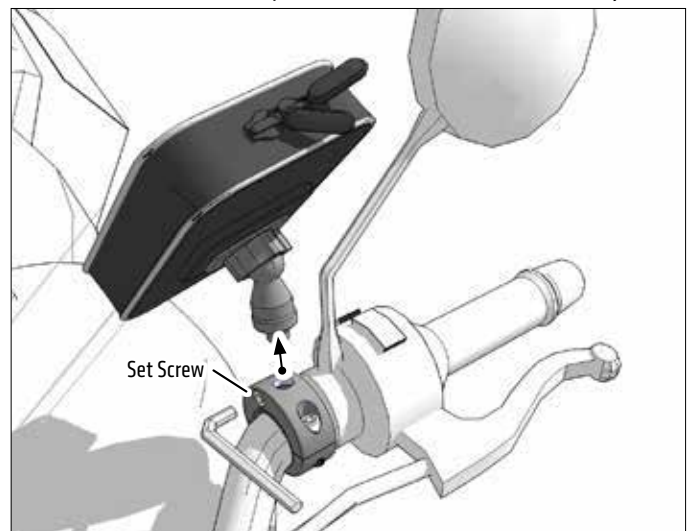
- 3 Insert device and adjust case position as desired. Tighten adjustment ring to secure position.



- 2 Attach the smartphone case to the Dual-T head and insert the set screw to secure.



OPTIONAL: To remove holder without removing the handlebar attachment, use the hex key to unscrew the set screw and lift up.



Safety Precautions

Arkon is not responsible for any damages caused to your vehicle, your device, or yourself due to the installation or use of this mount.

ARKON
RESOURCES INC.

The Mobile Mounting Specialists™

Consumer Hotline:

USA (800) 841-0884

INT'L (626) 254-9005

Monday - Friday 9am - 5pm, PST

www.arkon.com

Arcadia, CA 91006 USA

Designed in USA | Made in USA & China

© Copyright 2015 Arkon Resources, Inc.