



**Package Contents:**

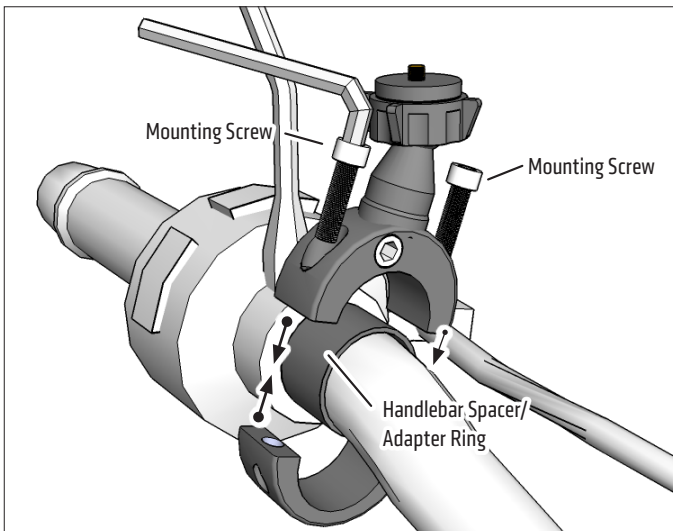
- (1) MC2B – Motorcycle Handlebar Mounting Pedestal - Black
- (1) SP-SB-RING – Swivel Adjustment Ring
- (1) SP-1420CAM – 1/4"-20 Swivel Ball Head

The Premium Motorcycle Mount comes with 3 handlebar spacer/adaptor rings of different sizes. Select the appropriate size for optimum mounting to your handlebar.

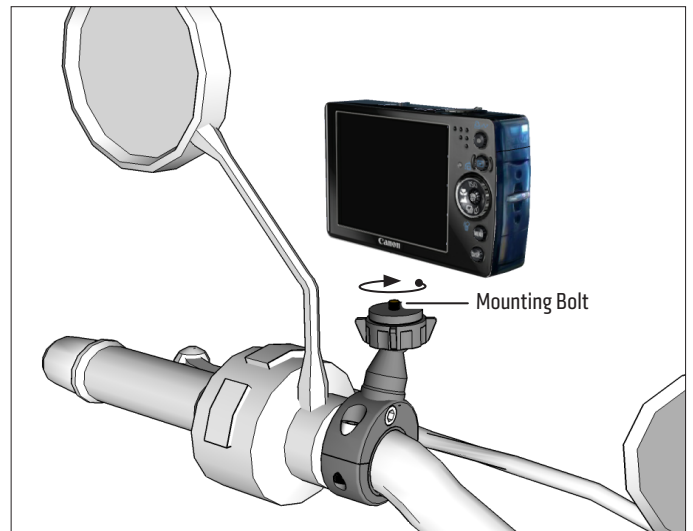
**Device Compatibility:**

Small digital cameras with the standard 1/4"-20 camera pattern, including the Sony Action Cam, Sony POV HD Flash Memory Camcorder, Contour ROAM2, JVC ADIXXION, and JVC ADIXXION Cam 2.

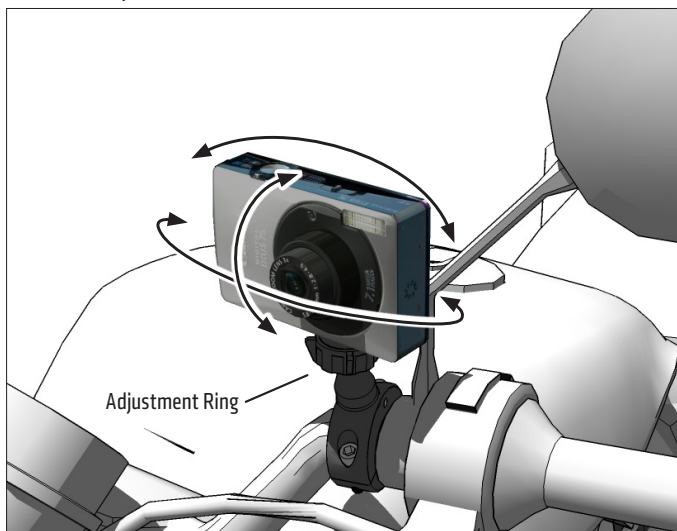
- 1** Place handlebar spacer/adaptor ring around handlebar. Attach mount to handlebar around spacer. Use the included hex key to securely tighten both mounting screws.



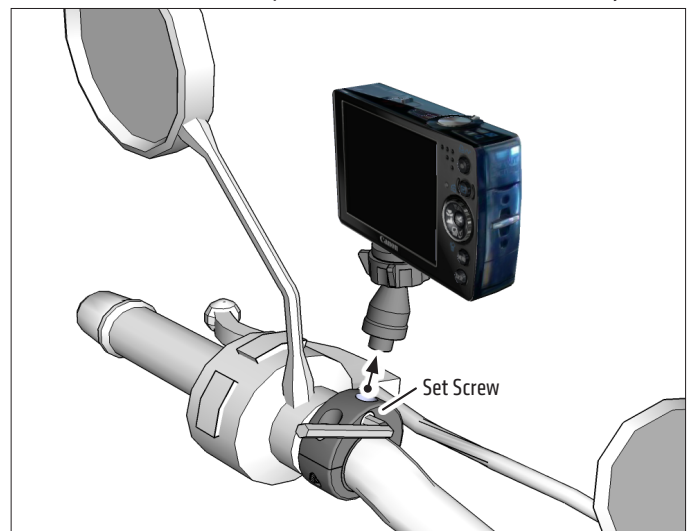
- 2** Attach camera by screwing it onto the 1/4"-20 mounting bolt.



- 3** Adjust camera position as desired. Tighten adjustment ring to secure position.



**OPTIONAL:** To remove holder without removing the handlebar attachment, use the hex key to unscrew the set screw and lift up.



**! Safety Precautions**  
 Arkon is not responsible for any damages caused to your vehicle, your device, or yourself due to the installation or use of this mount.

**ARKON**  
 RESOURCES INC.

The Mobile Mounting Specialists™

Consumer Hotline:

USA (800) 841-0884

INT'L (626) 254-9005

Monday - Friday 9am - 5pm, PST

[www.arkon.com](http://www.arkon.com)

Arcadia, CA 91006 USA

Designed in USA | Made in USA & China

© Copyright 2014 Arkon Resources, Inc.