



Package Contents:

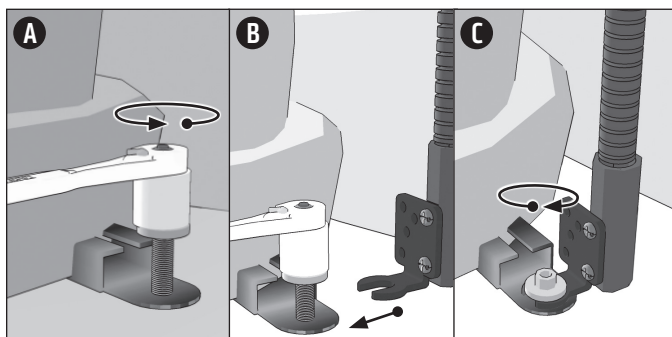
- (1) LB2000C – Tablet Lockbox for Samsung Galaxy Tab A 8.0
- (1) RM08825AL – 18" 25mm Seat Rail or Floor Mount
- (1) SP-RM250 – Robust Mount Shaft Arm

Compatibility: Samsung Galaxy Tab A 8.0.

Warning: Drilling into the dash, floor, or console may damage the vehicle. Use caution and consult a mobile install professional to avoid drilling into the gas tank, electrical system, or other highly sensitive vehicle components.

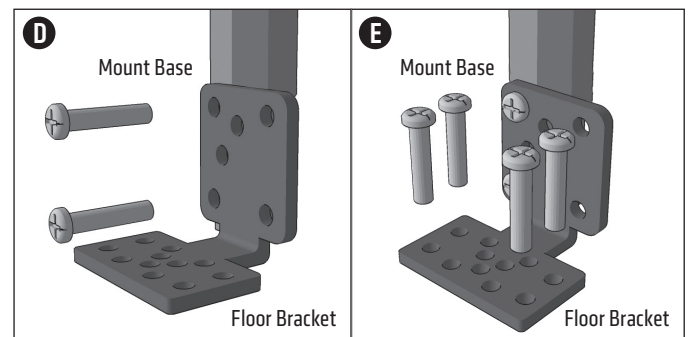
Option 1: Passenger Seat Bolt Mounting

(A) Use a socket wrench to loosen the passenger seat track bolt. (B) Insert the seat track bolt bracket. (C) Retighten the seat track bolt.



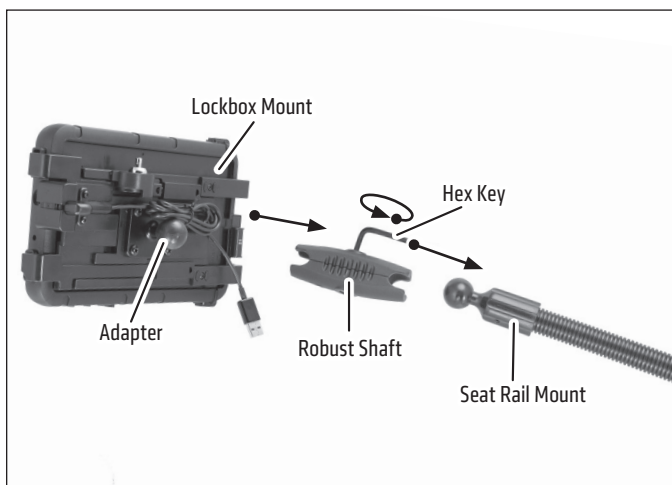
Option 2: Floor Mounting

(D) Screw the floor bracket to the mount. (Depending on your vehicle, you may need to change the orientation of the bracket.) (E) Attach the floor / console bracket with screws.

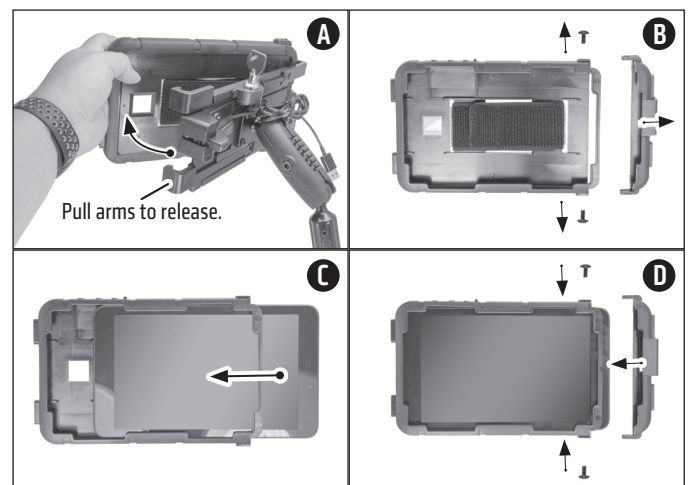


Combining the Seat Rail Mount and Lockbox Holder

1 Attach the Robust shaft arm to the seat rail mount, attach the adapter to the shaft and tighten bolt with hex key.



2 (A) Remove the Lockbox from the cradle. (B) Remove the screws from the top and bottom and remove the end cap. (C) Slide the tablet in. (D) Return the screws and end cap. Attach the Lockbox to the cradle.



Safety Precautions

Do not install Arkon products over an air bag cover or within the air bag deployment zone. Arkon Resources, Inc. assumes no responsibility of liability for injury or death as a result of car crashes and / or air bag deployment.

Arkon is not responsible for any damages caused to your vehicle, your device, or yourself due to the installation or use of this mount.

ARKON MOUNTS

Consumer Hotline:

USA (800) 841-0884

INT'L (626) 254-9005

Monday - Friday 9am - 5pm, PST

www.arkon.com

Arcadia, CA 91006 USA

Designed in USA | Made in Taiwan

© Copyright 2020 Arkon Resources, Inc.