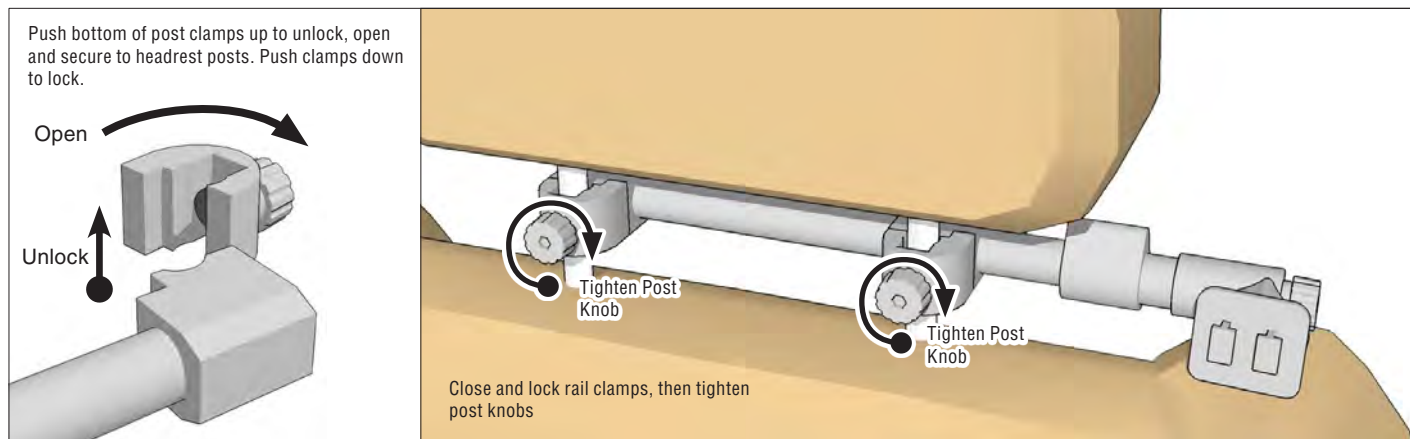


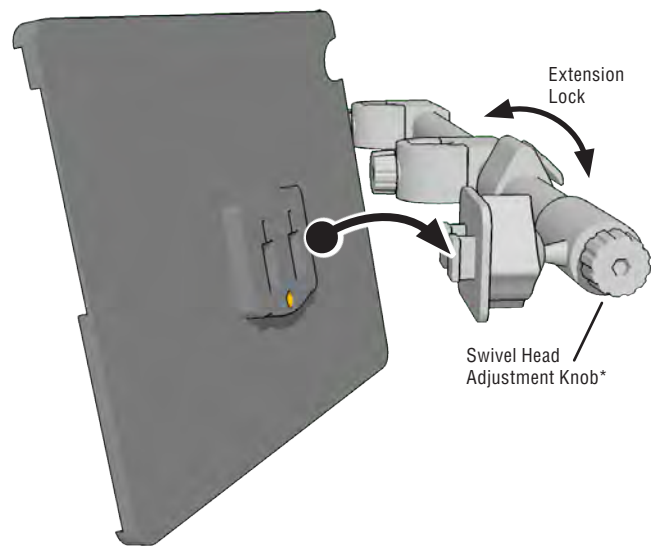
**Package Contents:**



**1 Attach Mount to Headrest**

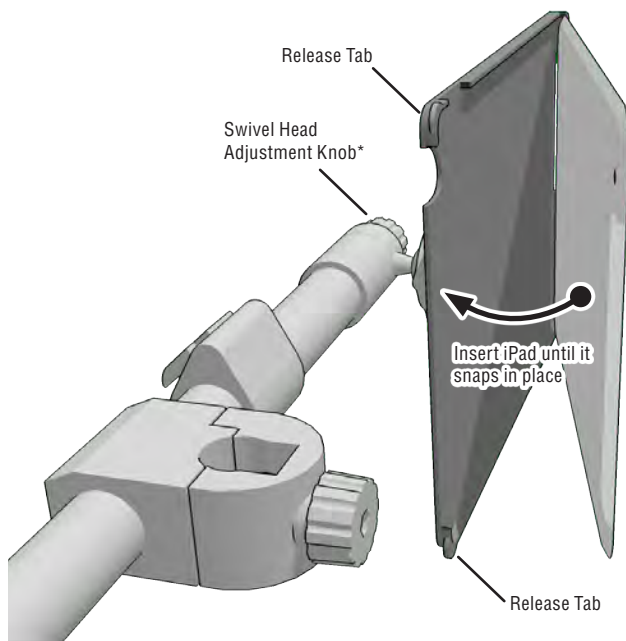


**2 Attach iPad Holder to Headrest Mount**



\*When not in use, position swivel head so that it faces down.

**3 Mount iPad, remove by pushing back Release Tabs**



Apple, iPad, iPhone and iPod touch are trademarks of Apple, Inc., registered in the U.S. and other countries



**Safety Precautions**

Arkon is not responsible for any damages caused to your car, your device, or yourself due to the installation or use of this pedestal mount.

Apple and iPad are trademarks of Apple, Inc., registered in the U.S and other countries.

**ARKON**  
RESOURCES INC.

The Mobile Mounting Specialists™

Consumer Hotline:  
USA (800) 841-0884  
INT'L (626) 254-9005  
Monday - Friday 9am - 5pm, PST

www.arkon.com  
Arcadia, CA 91006 USA  
Designed in USA | Made in China & Taiwan  
© Copyright 2012 Arkon Resources, Inc.