



HD006



HM004-B

Package Contents:

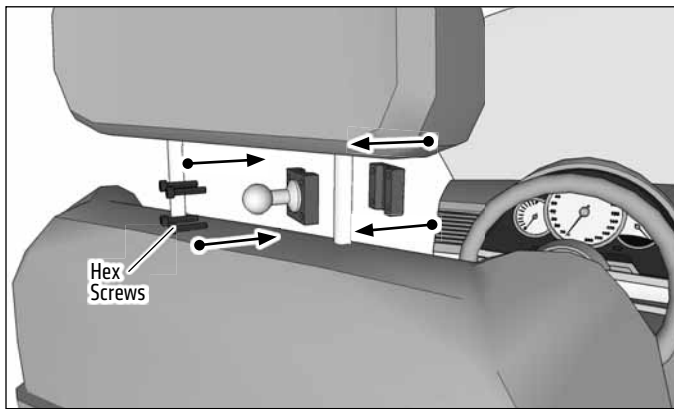
HD006 – Multi-Angle Aluminum Mounting Pedestal with 8" Adjustable Arm and 4-Hole AMPS Drill Base

HM004-B – Headrest Clamp with 20mm Ball

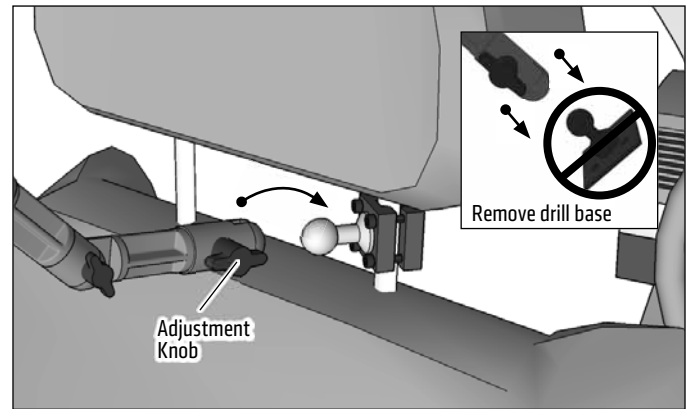
Clamp fits .31"- .63" (8mm-16mm) diameter posts.

IMPORTANT: Clamp may not fit all headrest types. Please consult your vehicle's user manual for compatibility.

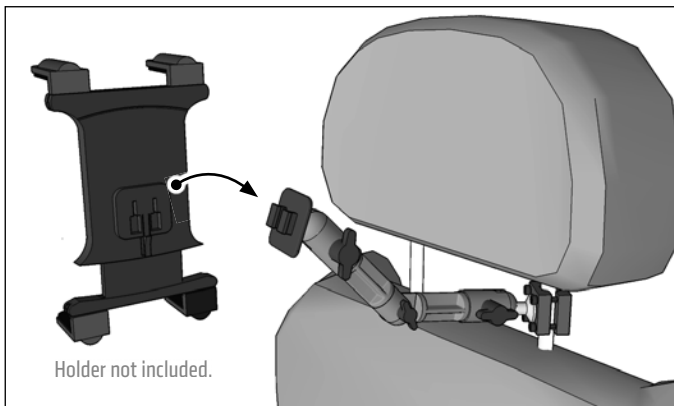
- 1 Place clamp on headrest and use the included hex key to securely tighten the clamp to screw the 4 hex screws to securely mount clamp onto post.



- 2 Loosen the adjustment knob on the pedestal, remove the drill base, and position the pedestal over the mount's ball. Retighten knob and set pedestal to desired angle.



- 3 Attach any compatible Dual-T holder (not included, sold separately). Loosen adjustment knob to set desired position of holder and retighten.



Safety Precaution

Arkon Resources, Inc. is not responsible for any damages caused to your vehicle or yourself due to the installation of this product.



The Mobile Mounting Specialists™

Consumer Hotline:

USA (800) 841-0884

INT'L (626) 254-9005

Monday - Friday 9 am - 5 pm, PST

www.arkon.com

Arcadia, CA 91006 USA

Designed in USA | Made in Taiwan

© Copyright 2015 Arkon Resources, Inc.