

HM002 | Adjustable Headrest Mount



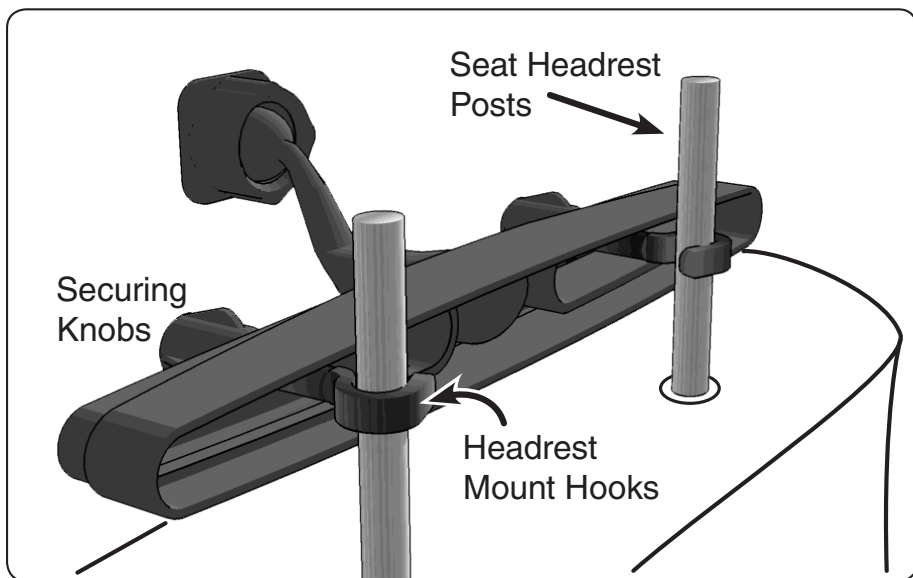
HM002
Adjustable Headrest Mount

Package Contents:

(1) HM002-SBH - Adjustable Headrest Mount

1 Seat Headrest Mounting

Raise the vehicle's headrest and place the headrest mount hooks around the headrest posts. Tighten the securing knobs.



Safety Precautions

Do not install Arkon products over an air bag cover or within the air bag deployment zone. Arkon Resources, Inc. assumes no responsibility of liability for injury or death as a result of car crashes and/or air bag deployment.

Arkon is not responsible for any damages caused to your car, your device, or yourself due to the installation or use of this pedestal mount.

Rev. 111611

ARKON
RESOURCES INC.

The Mobile Mounting Specialists™

Consumer Hotline:

USA (800) 841-0884

INT'L (626) 254-9005

Monday - Friday 9 am - 5 pm, PST

www.arkon.com

Arcadia, CA 91006 USA

Designed in USA | Made in Taiwan

© Copyright 2011 Arkon Resources, Inc.