

**Package Contents:**

- (1) HD005 – 10" Drill-Base Pedestal with Adjustable Arm
- (1) AP20MMVESA – 20mm Ball to VESA 75/VESA 100 Adapter

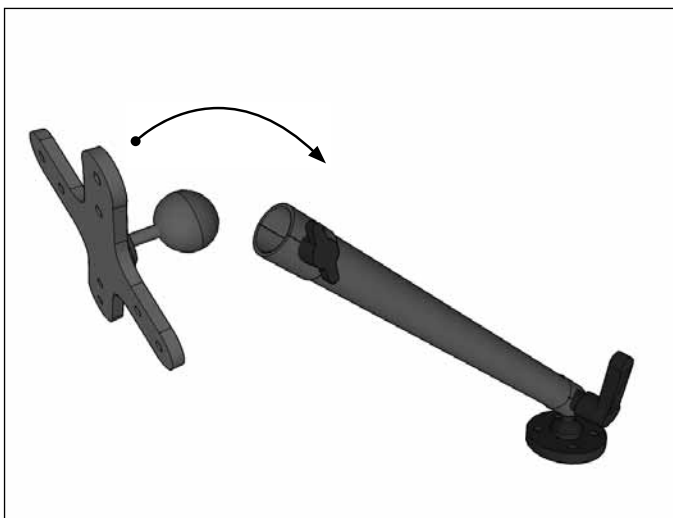


HD005

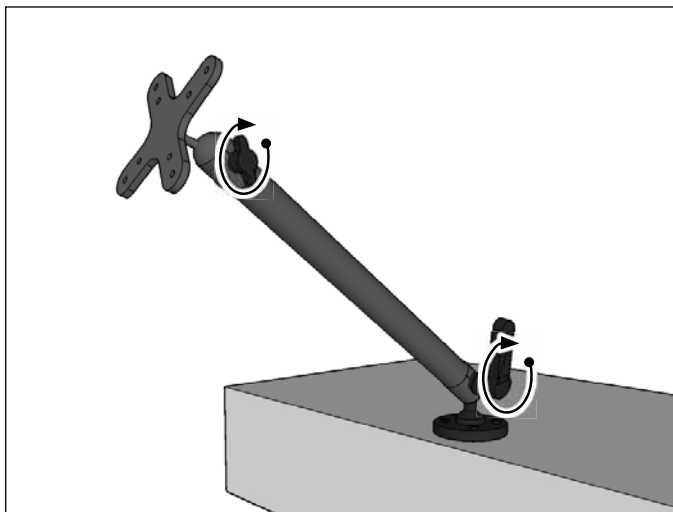


AP20MMVESA

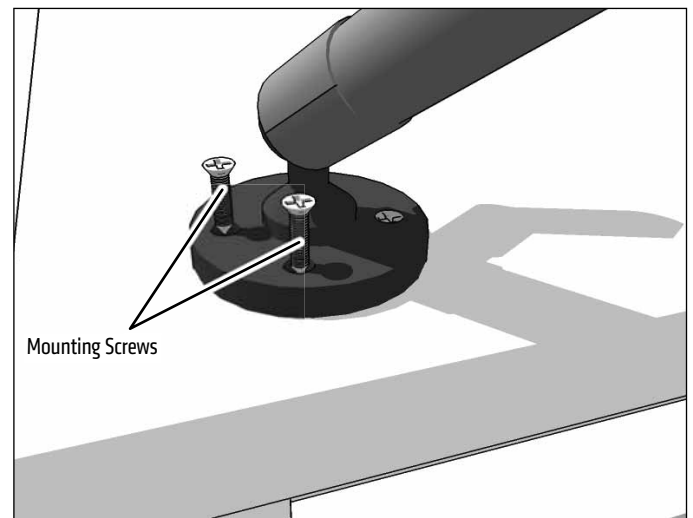
- 1** Remove the Dual-T head and attach AP20MMVESA adapter to the pedestal as shown by loosening knob. Tighten to secure.



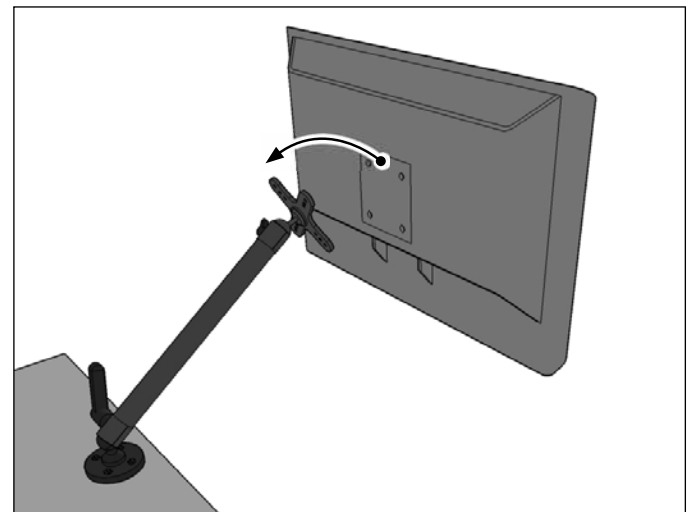
- 3** Loosen adjustment knobs to adjust angle of pedestal and position of VESA plate. Tighten to secure.



- 2** Attach the pedestal to the mounting surface through the AMPS base plate. Choose the screws that will work best on the chosen mounting surface. Use anchors if necessary.



- 4** Attach any VESA 75/VESA 100 compatible device or holder (not included, sold separately) to the VESA plate.



**! Safety Precautions**

Do not install Arkon products over an air bag cover or within the air bag deployment zone. Arkon Resources, Inc. assumes no responsibility of liability for injury or death as a result of car crashes and / or air bag deployment.

Arkon is not responsible for any damages caused to your car, your device, or yourself due to the installation or use of this pedestal mount.

**ARKON**  
RESOURCES INC.

*The Mobile Mounting Specialists™*

Consumer Hotline:

USA (800) 841-0884

INT'L (626) 254-9005

Monday - Friday 9 am - 5 pm, PST

[www.arkon.com](http://www.arkon.com)

Arcadia, CA 91006 USA

Designed in USA | Made in Taiwan

© Copyright 2017 Arkon Resources, Inc.