



HD001

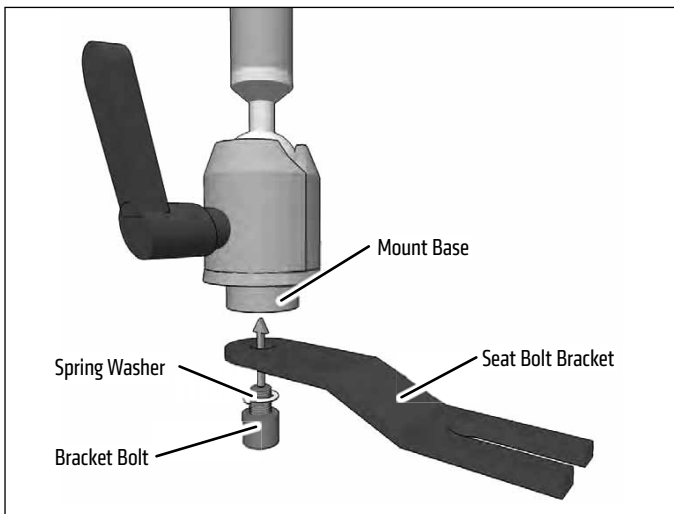


AP20MMVESA

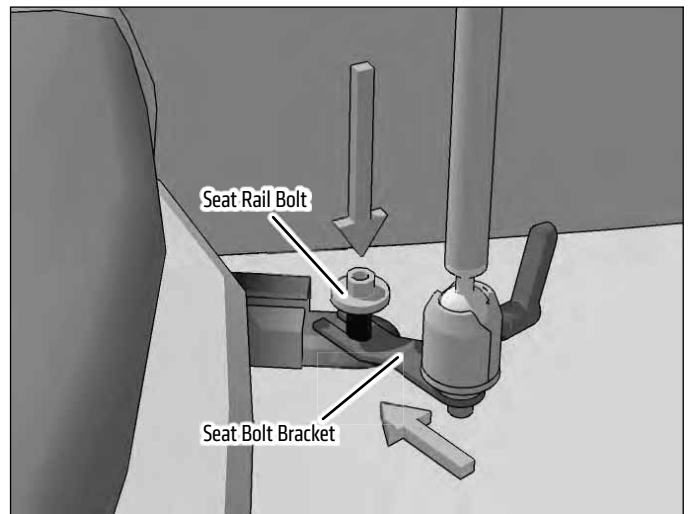
Package Contents:

- (1) HD001 – 22" Seat Rail Mounting Pedestal
- (1) AP20MMVESA – 20mm Ball to VESA 75/VESA 100 Adapter

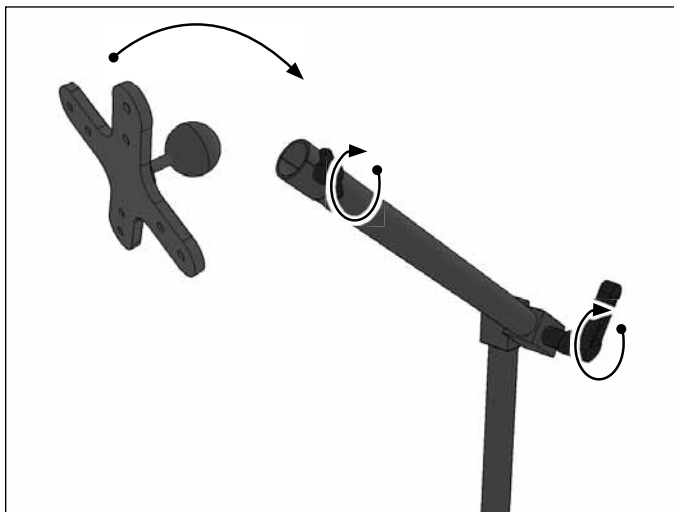
- 1** Attach the appropriate seat bolt bracket to the mount using the included bracket bolt and hex key. Be sure to position the spring washer between the bolt and bracket as shown.



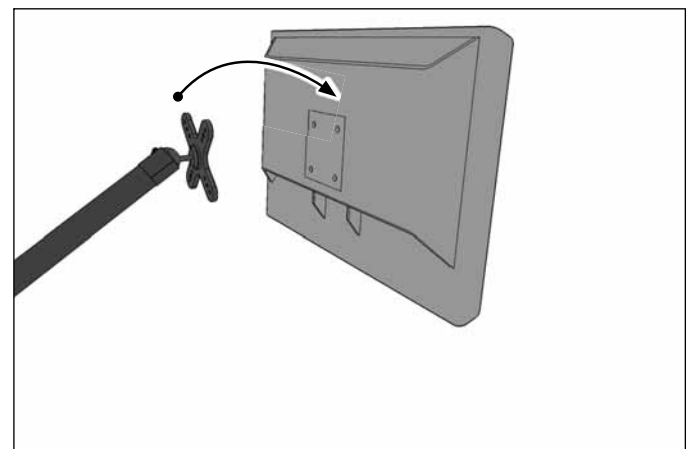
- 2** Attach the mount to the seat rail bolt by using a socket wrench to loosen the bolt. Insert the bracket and retighten the bolt.



- 3** Remove the Dual-T head and attach AP20MMVESA adapter to the mount shaft as shown by loosening knob. Tighten to secure.



- 4** Attach any VESA 75/VESA 100 compatible device or holder (not included, sold separately) to the VESA plate. Loosen adjustment knob to adjust angle of pedestal and position of VESA plate. Tighten to secure.



! Safety Precautions
 Do not install Arkon products over an air bag deployment zone. Arkon Resources, Inc. is not responsible and assumes no liability for injury or death as a result of a car crash and/or air bag deployment.
 Arkon is not responsible for any damages caused to your car, device, or yourself due to the installation or use of this product.

ARKON
RESOURCES INC. *The Mobile Mounting Specialists™*
 Consumer Hotline: www.arkon.com
 USA (800) 841-0884 Arcadia, CA 91006 USA
 INT'L (626) 254-9005 Designed in USA | Made in Taiwan
 Monday - Friday 9 am - 5 pm, PST © Copyright 2017 Arkon Resources, Inc.