



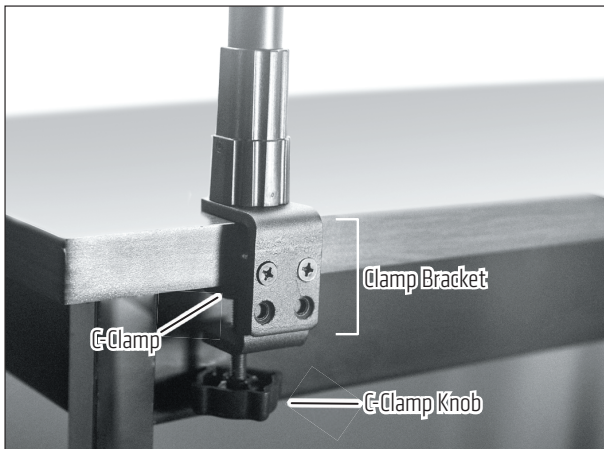
**HD011**  
Clamp Pedestal with  
Telescoping Pole

**Package Contents:**

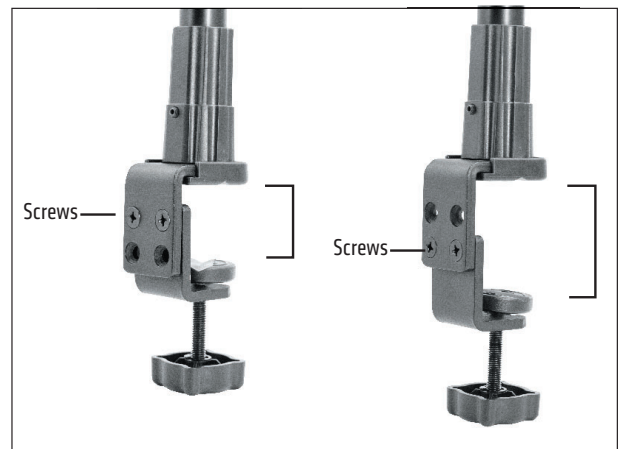
(1) **HD011-B** – Clamp Base with 20mm Ball Collar

**Installing Clamp Base**

- 1 Attach mount to surface by tightening C-clamp knob. Slide optional rubber clamp boot onto the top of the mount's clamp to prevent scratching clamp surface if desired.



- 2 For thicker tables or desks, adjust the clamp bracket by using a Phillips screwdriver to remove the screws from the top position and move them to the bottom position.

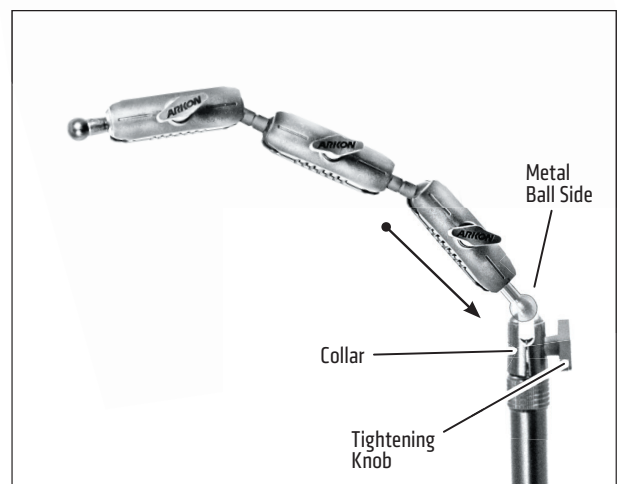


- 3 Adjust the height of the pole by loosening the adjustment collar counterclockwise. Tighten clockwise to set height.



**Changing your Pro Stand from Weighted Base to Clamp Base**

Unscrew collar at the top of the telescoping pole and carefully remove metal ball and overhead arm assembly. Attach metal ball and overhead arm assembly to the clamp base's collar. Tighten collar clockwise to secure.



**! Safety Precautions**

Arkon Resources, Inc. is not responsible for any damages caused to your device or yourself due to the installation or use of this mount.

**ARKON MOUNTS**

**Consumer Hotline:**

**USA** (800) 841-0884

**INT'L** (626) 254-9005

Monday - Friday 9 am - 5 pm, PST

[www.arkon.com](http://www.arkon.com)

Arcadia, CA 91006 USA

Designed in USA | Made in Taiwan and USA

© Copyright 2018 Arkon Resources, Inc.