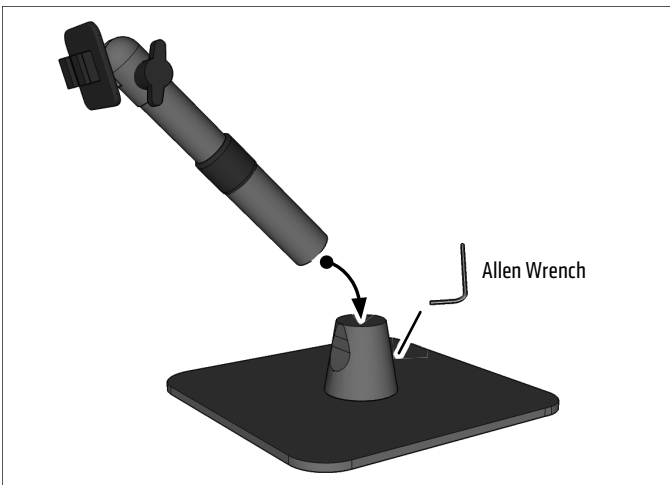




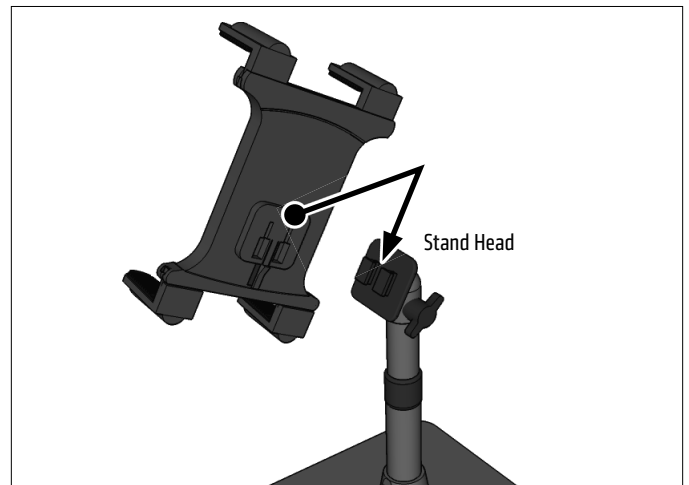
Package Contents:

(1) HD008 – Heavy-Duty Mounting Pedestal with Weighted Base and Telescoping Arm (weight: 3.4 lbs.)

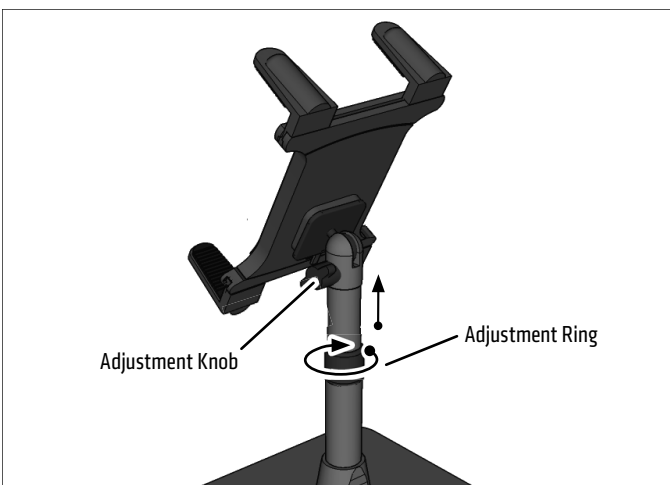
- 1 Insert telescoping arm tube into weighted base. Tighten base lock to secure with included allen wrench.



- 2 Attach any Arkon Dual-T holder (sold separately) to the pedestal by inserting the Dual T-Tabs into the holder's Dual T-Slots and pushing down to lock.



- 3 Adjust the height and angle of the mount by loosening the adjustment ring and the adjustment knob. Retighten to set.



ARKON
RESOURCES INC.

The Mobile Mounting Specialists™

Consumer Hotline:

USA (800) 841-0884

INT'L (626) 254-9005

Monday - Friday 9am - 5pm, PST

www.arkon.com

Arcadia, CA 91006 USA

Designed in USA | Made in Taiwan

© Copyright 2014 Arkon Resources, Inc.