

HD001 | 22" Heavy Duty Aluminum Car Seat Rail Floor Mount

HD001
22" Heavy Duty
Aluminum Floor Mount



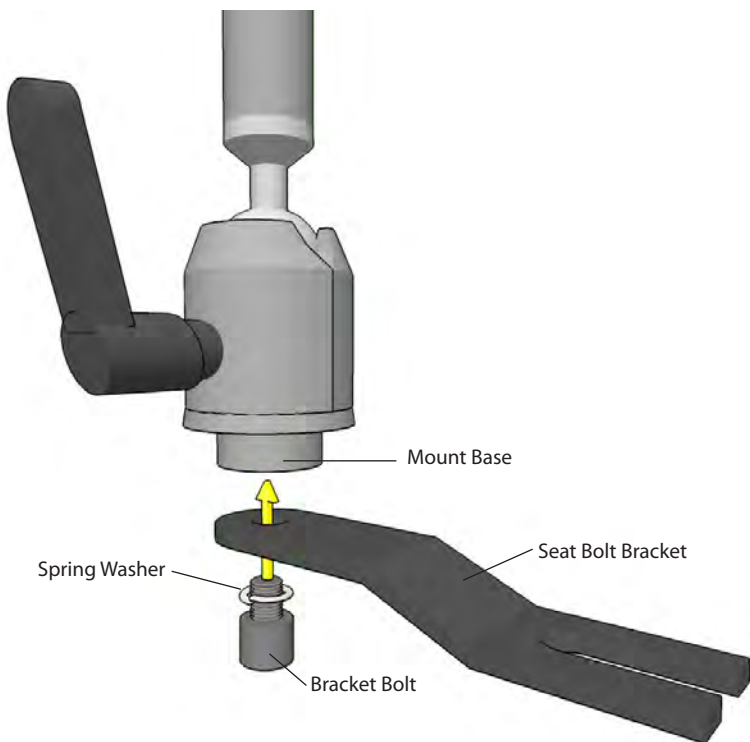
Package Contents:

- (1) HD001 - 22" heavy duty aluminum floor mount
- Includes: (3) Seat Bolt Brackets, (1) Bracket Bolt, (1) Spring Washer (1) Hex key

 Do not place mount in or near an air bag deployment zone or where it will obstruct view of the road.

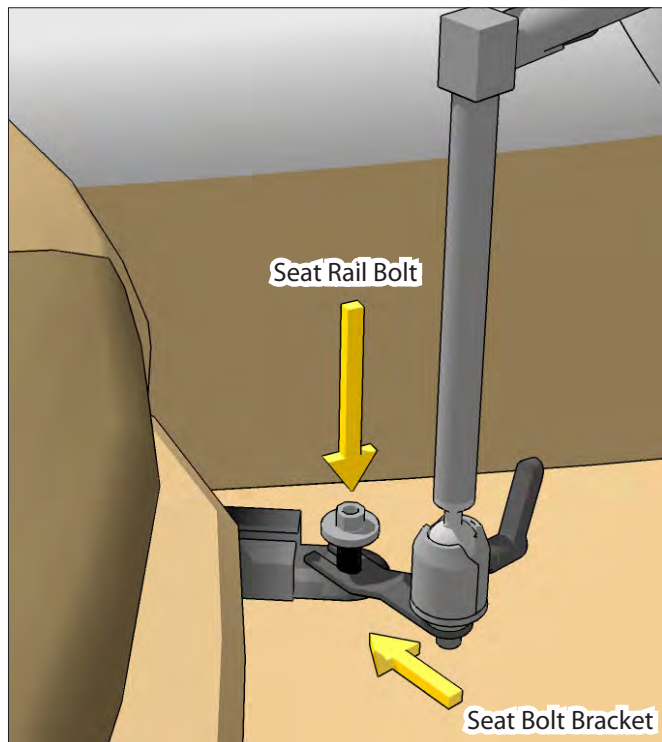
1 Attach Seat Bolt Bracket to Mount

Attach the appropriate seat bolt bracket to the mount with the included bracket bolt and hex key. Be sure to position the spring washer between the bolt and bracket as shown.



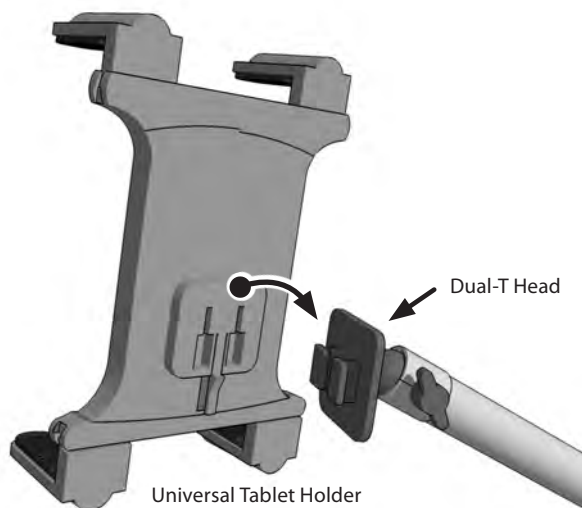
2 Attach Mount to Seat Bolt

With a socket wrench, loosen the passenger seat rail bolt, insert the seat rail bolt bracket, and retighten the seat rail bolt.



3 Attach the Holder

Attach a holder to the mount by inserting the Dual-T tabs into the holder and sliding the holder down to lock.



Safety Precautions

Do not install Arkon products over an air bag cover or within the air bag deployment zone. Arkon Resources, Inc. assumes no responsibility of liability for injury or death as a result of car crashes and/or air bag deployment.

Arkon is not responsible for any damages caused to your car, your device, or yourself due to the installation or use of this pedestal mount.

ARKON
RESOURCES INC.

Consumer Hotline:
USA (800) 841-0884
INT'L (626) 254-9005
Monday - Friday 9am - 5pm, PST
www.arkon.com
Arcadia, CA 91006 USA

TEL : (02) 839-5701

FAX : (02) 830-5703

Made in China

© Copyright 2011 Arkon Resources, Inc.