

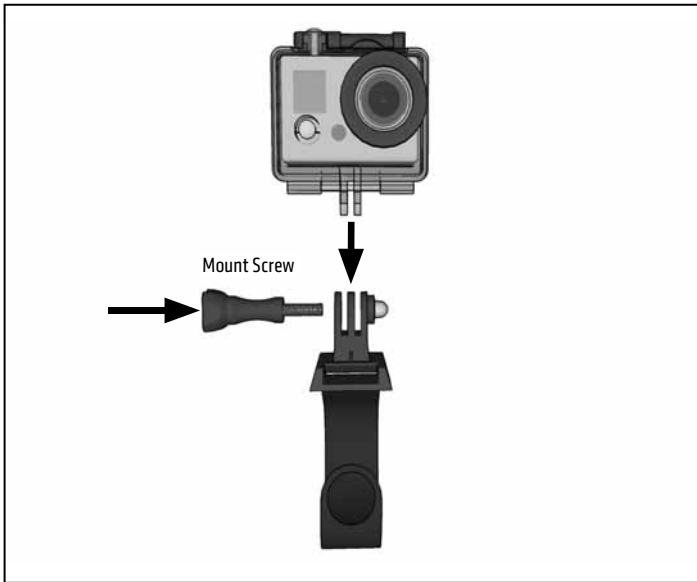


Package Contents:

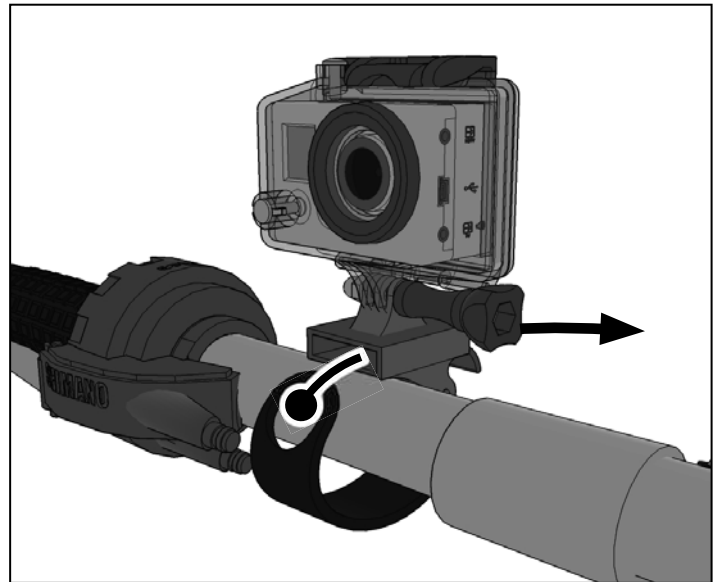
GP234 - Quick-Release Strap Mount for GoPro®
(device not included)

GoPro® and HERO® are registered trademarks of Woodman Labs, Inc. in the United States and other countries. Arkon Resources, Inc is not affiliated with Woodman Labs.

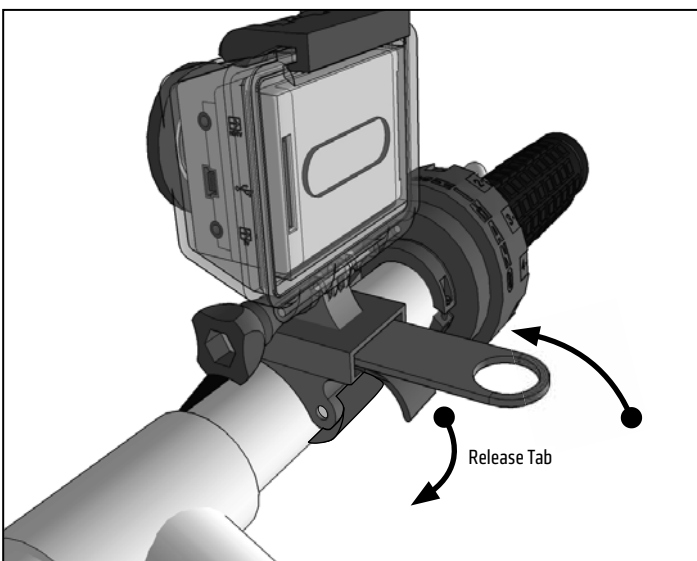
- 1** Remove screw from the 3-prong bracket and insert GoPro camera and case, then re-insert screw. Tighten as needed.



- 2** Place mount on handlebar. Wrap strap around handlebar and insert through slot on back of mount. Pull tight as needed.



- 3** Remove by pushing down on release tab and pushing strap back through slot.



Safety Precautions

Arkon is not responsible for any damages caused to your vehicle, your device, or yourself due to the installation or use of this mount.