

Package Contents:

- GN086-SBH** – C-Clamp Mounting Pedestal with 4" Adjustable Arm
- AP-CMP** – 1/4"-20 Camera Bolt Adapter
- SP-SB-AMPS-22** - AMPS Swivel Ball Head for 22mm Pedestals
- SP-1420-SCREW** – 1/4"-20 to GoPro® HERO® Mount Connection Adapter
- OPTIONAL** - (1) Rubber Clamp Boot

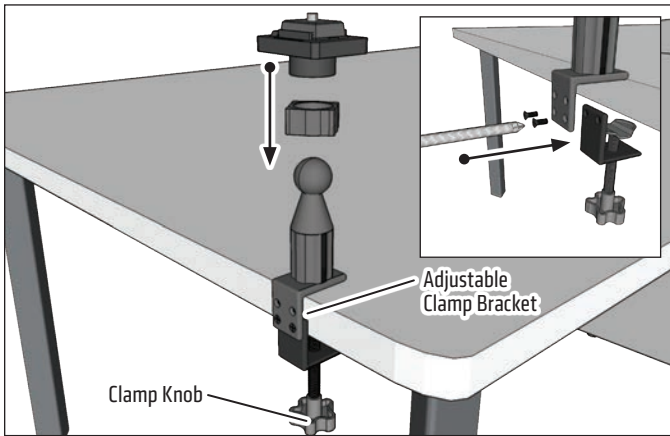
NOTE: C-Clamp Opening: .25" – 2.25" (6mm – 57mm).

Device Compatibility:

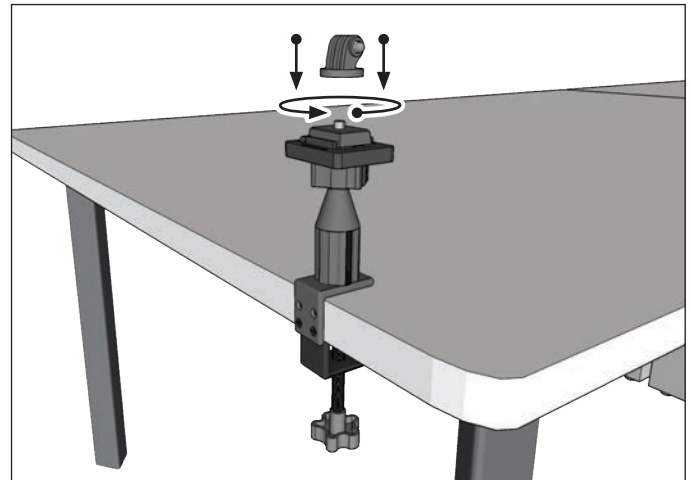
Compatible with GoPro® HERO® action cameras, as well as 1/4"-20 compatible cameras.

GoPro® and HERO® are trademarks or registered trademarks of Woodman Labs, Inc. in the United States and other countries. Arkon Resources, Inc. is not affiliated with Woodman Labs.

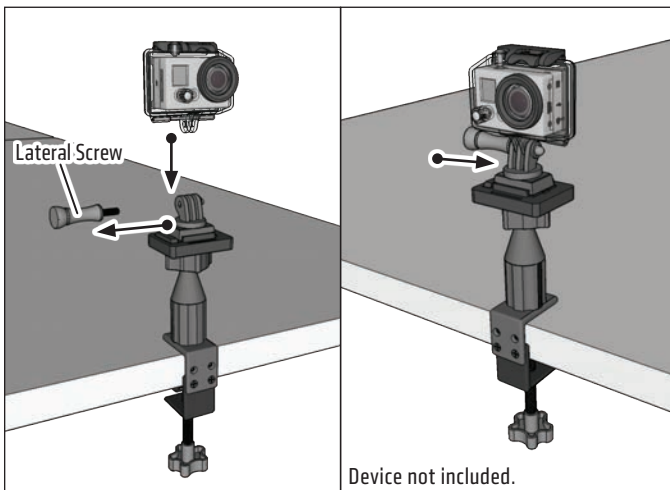
- 1** Attach pedestal clamp by turning the c-clamp knob clockwise; adjust the clamp bracket position if necessary with a Phillips screwdriver. Place ring over ball, attach camera bolt adapter over ball, and tighten to set to position. Slide optional rubber clamp boot onto the top of the mount's clamp to prevent scratching clamp surface if desired.



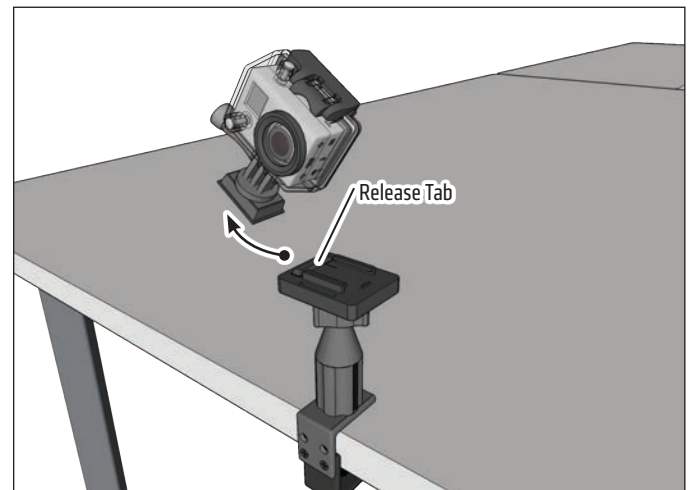
- 2** Screw the included 1/4"-20 to GoPro HERO Adapter onto the mounting bolt.



- 3** Unscrew lateral screw and insert GoPro HERO (sold separately) to the adapter. Re-insert lateral screw.



OPTIONAL: Release the GoPro mount by pressing on the release tab.



! Safety Precautions

Arkon is not responsible for any damages caused to your device or yourself due to the installation or use of this mount.

ARKON
RESOURCES INC.

The Mobile Mounting Specialists™

Consumer Hotline:

USA (800) 841-0884

INT'L (626) 254-9005

Monday - Friday 9am - 5pm, PST

www.arkon.com

Arcadia, CA 91006 USA

Designed in USA | Made in China & Taiwan

© Copyright 2017 Arkon Resources, Inc.