



GN092-L28-AMPS

Package Contents:

(1) GN092-L28-AMPS - 28" Seat Rail Mount with Flexible Metal Gooseneck and AMPS Head

Arkon recommends installing this mount on the passenger side seat rail.

1 With a socket wrench, loosen the seat track bolt.



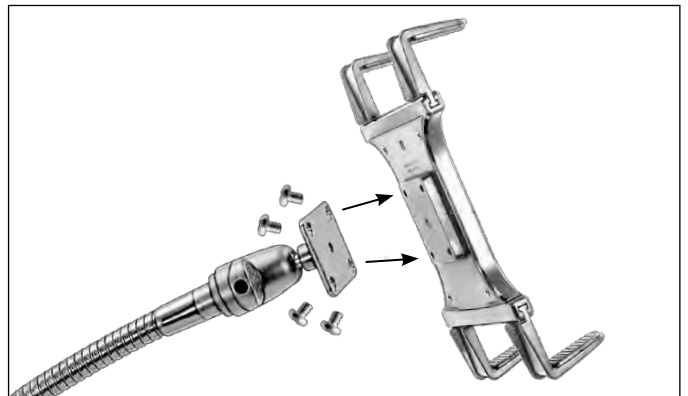
2 Insert the seat track bolt bracket (choose the bracket that best fits your vehicle).



3 Retighten the seat track bolt.



4 Attach AMPS-compatible holder or device (not included).



Safety Precautions

Arkon is not responsible for any damages caused to your vehicle, your device, or yourself due to the installation or use of this mount. Do not install Arkon products over an air bag cover or within the air bag deployment zone. Arkon Resources, Inc. assumes no responsibility of liability for injury or death as a result of car crashes and/or air bag deployment.

ARKON
RESOURCES INC.

The Mobile Mounting Specialists™

Consumer Hotline:

USA (800) 841-0884

INT'L (626) 254-9005

Monday - Friday 9 am - 5 pm, PST

www.arkon.com

Arcadia, CA 91006 USA

Designed in USA | Made in Taiwan

© Copyright 2017 Arkon Resources, Inc.