

GN047
Vent Mount Pedestal**Package Contents:**

(1) GN047 Vent Mount Pedestal, including (2) semi-removable vent clips

No Tools Required for installation.

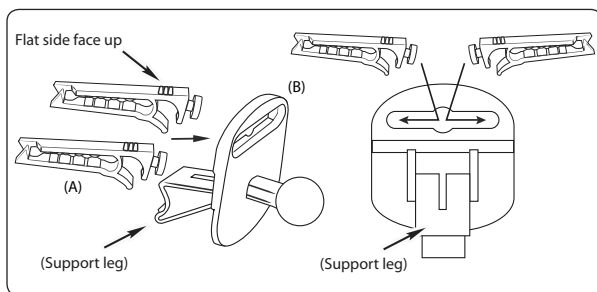
Compatible with:

• Garmin® nüvi™ Series: 40, 50, 200, 2013, 24x5, and 25x5, as well as Garmin nüvi 1450, 1450T, 1490T, 1200, 1250, 1260T, 1300, 1350, 1350T, 1370T, and 1390T models

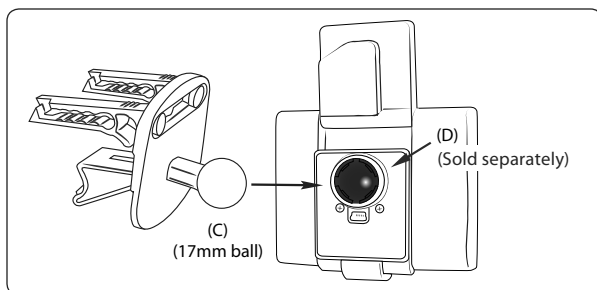
Air Vent Mounting Instructions

Step 1. Choose a suitable vent location for installation. **Do not place mount in or near an air bag deployment zone or where it will obstruct view of the road.**

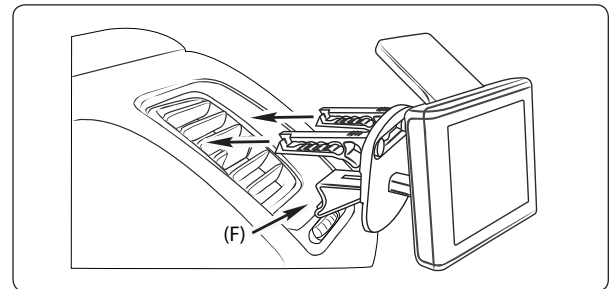
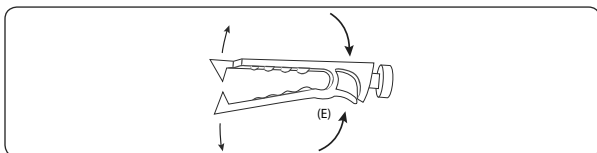
Step 2. Attach the vent mounting clips (A) to the back of the pedestal (B) with the vent clips correctly positioned with the flat sides facing up.



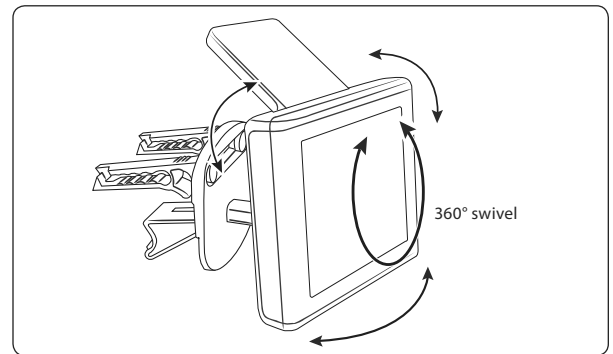
Step 3. Attach your GPS device to the pedestal mount ball head by firmly pushing ball (C) into the socket on the back of the original device power cradle (D) (not included) as pictured below.



Step 4. Pinch the vent mounting clips (E) so that the teeth open and gently insert vent pedestal into vent louvres until the mounting clips are attached to the fin/blade of the vent. Adjust the spacing between the mounting clips if necessary. Adjust the support leg (F) vertically until it rests firmly along the bottom of the vent or dash surface below the vent. It will need to support the weight of the cradle and device.



Step 5. Position the your GPS device as desired.

**GPS Device and Vent Clip Removal**

Step 1. The GPS unit must be detached from the device power cradle.



WARNING: Failure to separate the GPS unit from the original manufacturers power cradle before attempting to remove the vent mount could result in permanent damage to the vehicle's air vent louvres.

Step 2. Pinch the vent mounting clips to the open the teeth. Carefully slide the pedestal from the vent fin/blade. Make sure the vent clips teeth are open enough so that they clear without damaging the vent. Please call our technical service department if you are having trouble removing the vent clips at (626) 254-9005.

Garmin brand name and nüvi and StreetPilot product names are trademarks or registered trademarks of Garmin International. Arkon Resources, Inc. is not affiliated with Garmin International.

**Safety Precautions**

Follow all manufacturer safety guidelines for operating your device. Failure to practice safe usage of GPS device while driving may result in damage, injury, or death. Do not install Arkon products over an air bag cover or within the air bag deployment zone.

Arkon is not responsible for any damages caused to your car, your device, or yourself due to the installation or use of this pedestal mount.

ARKON[®]
RESOURCES INC.

The Mobile Mounting Specialists™

Consumer Hotline:

USA (800) 841-0884

INT'L (626) 254-9005

Monday - Friday 9 am - 5 pm, PST

www.arkon.com

Arcadia, CA 91006 USA

Designed in USA | Made in China

© Copyright 2014 Arkon Resources, Inc.