


## GN007-SBH | 7" Gooseneck Mount with 4-Hole Base



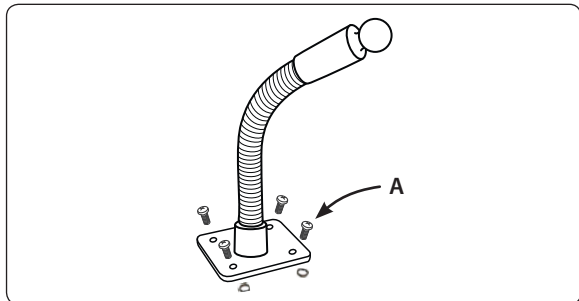
### Package Contents:

- (1) GN007 - 7" Gooseneck mount with 4-hole (AMPS) base
- (1) Set of 4 screws and nuts
- (1) SP-SB-2T - Dual-T head
- (1) SP-SB-RING - 17mm ball tightening ring

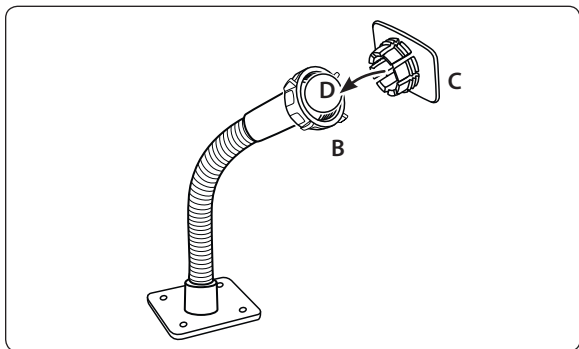
 If attaching 4-hole (AMPS) plate to a hard surface, screwing into the surface will leave permanent marks. Consult with an install professional before drilling into any sensitive areas of a vehicle.

### 4-Hole (AMPS) Mounting

- Step 1. Screw the base of the mount (A) in to an existing 4-hole plate or other hard flat surface. (Other screws may be needed depending on the surface).

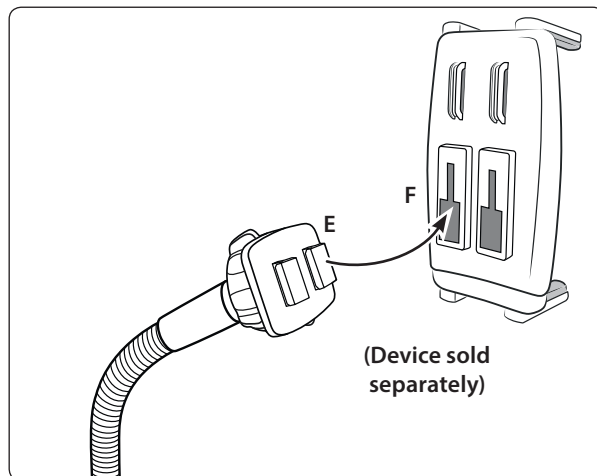


- Step 2. Slip the tightening ring (B) over the 17mm mounting ball. Snap the dual-T head adapter plate (C) on to the 17mm ball (D). Screw the tightening ring over the adapter plate until securely holding the plate. Swivel to adjust the angle of the dual-T head.



### Device or Holder Attachment

- Step 1. Attach your device or holder (not included, sold separately) to the gooseneck by inserting the dual-T tabs (E) into the dual-T slots in the back of the device or holder.
- Step 2. Adjust the gooseneck by bending the shaft to the desired location. Adjust the angle of the device and tighten the tightening ring to secure.



### Safety Precautions

Do not install Arkon products over an air bag cover or within the air bag deployment zone. Arkon Resources, Inc. assumes no responsibility of liability for injury or death as a result of car crashes and/or air bag deployment.

Arkon is not responsible for any damages caused to your car, your device, or yourself due to the installation or use of this pedestal mount.

**ARKON**  
RESOURCES INC.

The Mobile Mounting Specialists™

Consumer Hotline:

USA (800) 841-0884

INT'L (626) 254-9005

Monday - Friday 9 am - 5 pm, PST

[www.arkon.com](http://www.arkon.com)

Arcadia, CA 91006 USA

Designed in USA | Made in Taiwan

© Copyright 2013 Arkon Resources, Inc.