



GN-BKT2013

Package Contents:

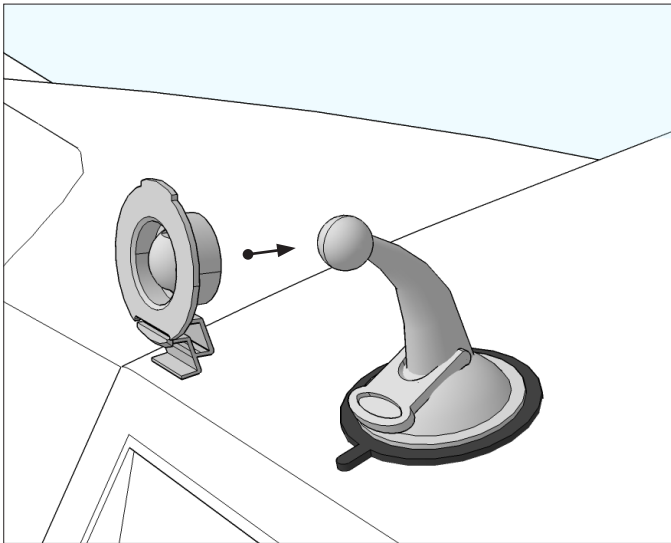
GN-BKT2013 – Replacement Passive Holder for Garmin® nüvi® 2013 Series

Compatible with Garmin® devices:

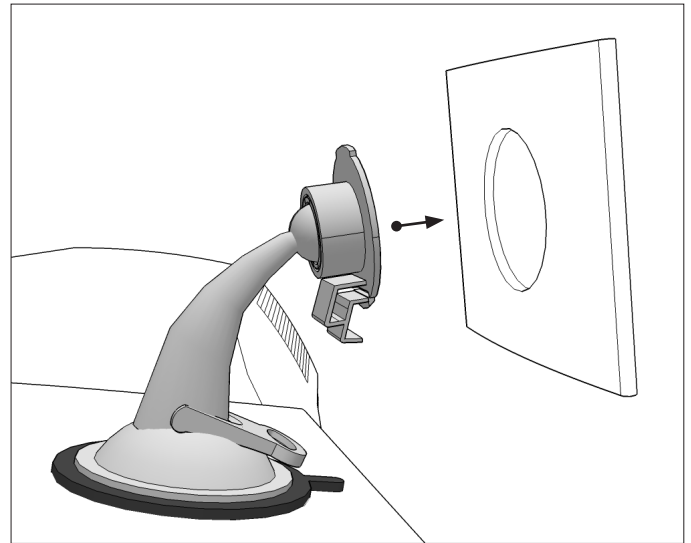
Garmin® nüvi® 3597LMTHD, 2457LMT, 2497LMT, 2557LMT, 2558LMTHD, 2577LT, 2597LMT, 2598LMTHD, 2757LM, 2797LMT, 2798LMT, 42, 42LM, 44, 44LM, 52, 52LM, 54, 54LM

The Garmin brand name and nüvi product name are trademarks or registered trademarks of Garmin International.

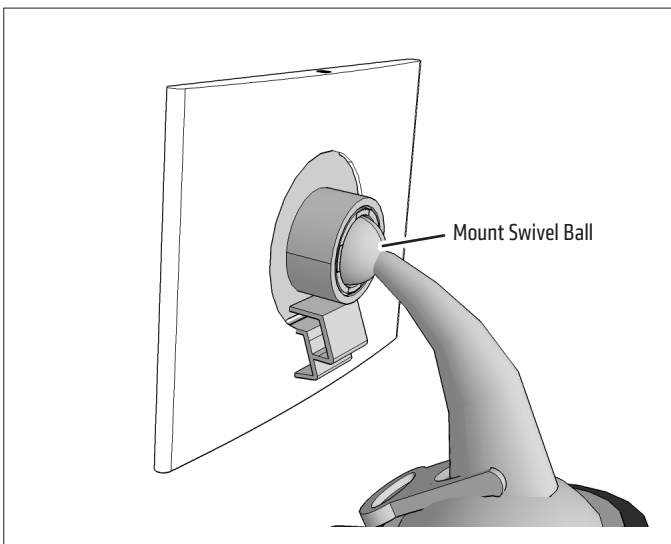
- 1 Attach bracket to any 17mm ball compatible pedestal (sold separately, not included) by pressing it firmly onto the mounting ball.



- 2 Insert device (not included) into the mounting bracket.



- 3 Adjust device position by rotating on mount swivel ball.



Safety Precautions

Do not install Arkon products over an airbag cover or within the airbag deployment zone. Arkon Resources, Inc. assumes no responsibility of liability for injury or death as a result of car crashes and / or airbag deployment.

Arkon is not responsible for any damages caused to your vehicle, your device, or yourself due to the installation or use of this mount.

ARKON
RESOURCES INC.

The Mobile Mounting Specialists™

Consumer Hotline:

USA (800) 841-0884

INT'L (626) 254-9005

Monday - Friday 9 am - 5 pm, PST

www.arkon.com

Arcadia, CA 91006 USA

Designed in USA | Made in China

© Copyright 2014 Arkon Resources, Inc.