

APFLIFT



SP10FLIFT



TAB001-AMPS



SP-RM200



APMAMPS25MM



SP-12M-4M7



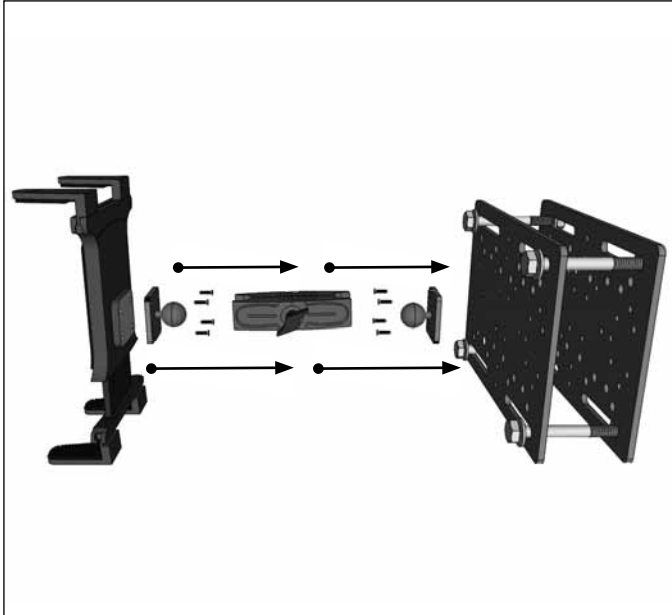
Example of assembled mount

Package Contents:

- (2) APFLIFT – 7"x10" Black Steel Forklift Mounting Plate
- (1) SP10FLIFT – Hardware Pack
- (1) TAB001-AMPS – Slim-Grip Universal Tablet Holder with AMPS Pattern
- (1) SP-RM200 – Robust Mount Shaft
- (2) APMAMPS25MM – Metal AMPS to 25mm Ball Adapter
- (1) SP-12M-4M7 – Screw Pack

Each steel plate weighs just over 3 pounds and measures 10" x 7" x 1/8". Multiple size holes (4.9mm, 5.7mm, and 8.5mm) as well as hole patterns are pre-drilled into the plate, including 4-Hole AMPS, VESA 75, VESA 100, and Gamber-Johnson 2" x 4.09" for mounting multiple types of devices.

FLRMTAB01 includes two metal mounting plates for placement on either side of the forklift guard. Use the included 3/8-16 x 4" Tap Bolts with washers and nuts to secure the plates at each corner.



Safety Precautions

Use caution during installation when handling heavy metal plates to avoid injury. Arkon assumes no responsibility of liability for injury or death due to the installation or use of this mount.

ARKON
RESOURCES INC.

The Mobile Mounting Specialists™

Consumer Hotline:

USA (800) 841-0884

INT'L (626) 254-9005

Monday - Friday 9am - 5pm, PST

www.arkon.com

Arcadia, CA 91006 USA

Designed in USA | Made in USA

© Copyright 2017 Arkon Resources, Inc.