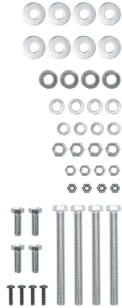
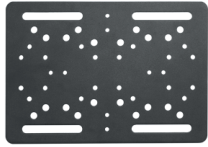


APFLIFT



SP10FLIFT



TAB001-AMPS



SPRM38MM



APMAMPS38MM



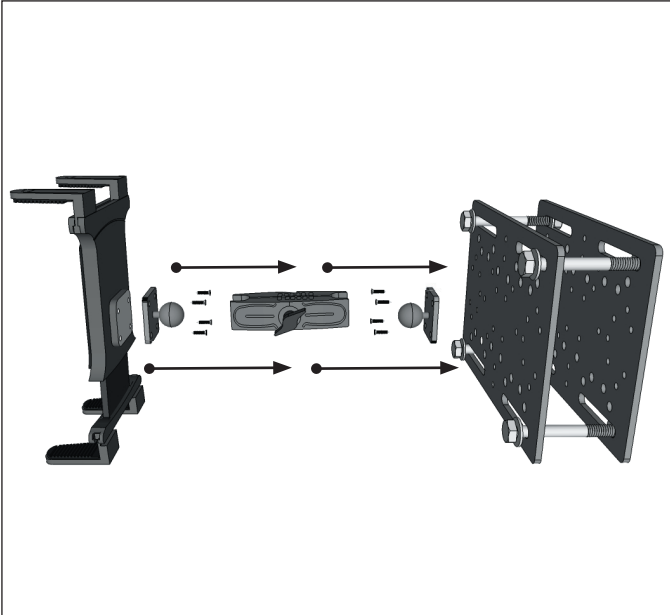
Example of assembled mount

Package Contents:

- (2) APFLIFT – 7”x10” Black Steel Forklift Mounting Plate
- (1) SP10FLIFT – Hardware Pack
- (1) TAB001-AMPS – Slim-Grip® Universal Tablet Holder with AMPS Pattern
- (1) SPRM38MM – Metal 38mm Robust Mount Shaft
- (2) APMAMPS38MM – 38mm Ball to 4-Hole AMPS Adapter

Each steel plate weighs just over 3 pounds and measures 10” x 7” x 1/8”. Multiple size holes (4.9mm, 5.7mm, and 8.5mm) as well as hole patterns are pre-drilled into the plate, including 4-Hole AMPS, VESA 75, VESA 100, and Gamber-Johnson 2” x 4.09” for mounting multiple types of devices.

FLRM38TAB1 includes two metal mounting plates for placement on either side of the forklift guard. Use the included 3/8-16 x 4” Tap Bolts with washers and nuts to secure the plates at each corner.



⚠ Safety Precautions

Do not install Arkon products over an air bag cover or within the air bag deployment zone. Arkon Resources, Inc. assumes no responsibility of liability for injury or death as a result of car crashes and/or air bag deployment.

Arkon Resources, Inc. is not responsible for any damages caused to your vehicle, device or yourself due to the installation or use of this mount.

ARKON® MOUNTS

Consumer Hotline:

USA (800) 841-0884

INT'L (626) 254-9005

Monday - Friday 9 am - 5 pm, PST

www.arkon.com

Arcadia, CA 91006 USA

Designed in USA | Made in Taiwan and USA

© Copyright 2018 Arkon Resources, Inc.