



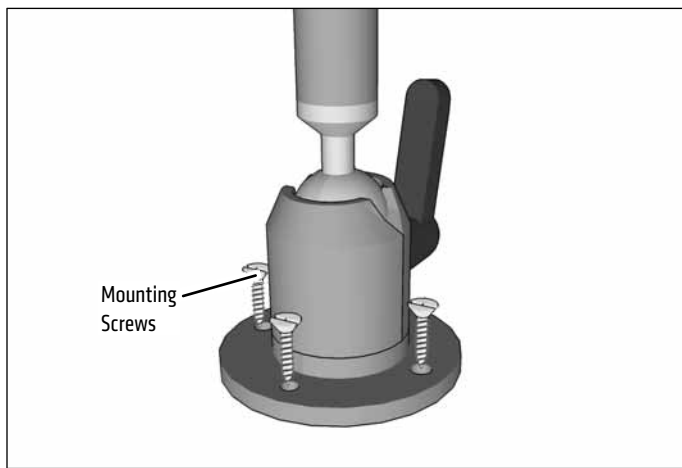
Package Contents:

- (1) HD003 – Heavy-Duty 4-Hole Drill-Base Aluminum Mounting Pedestal with 22" Adjustable Arm
- (1) SP-20MCAM – 20mm Aluminum Ball with 1/4"-20 Threaded Camera Pattern Adapter

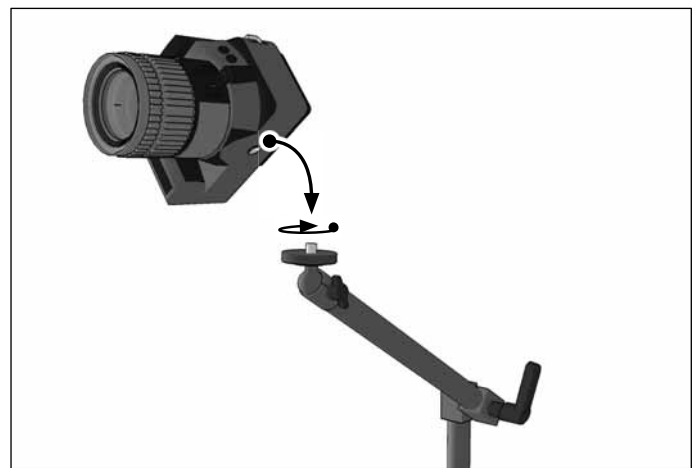
Device Compatibility:

Fits any 1/4"-20 thread socket compatible camera or device.

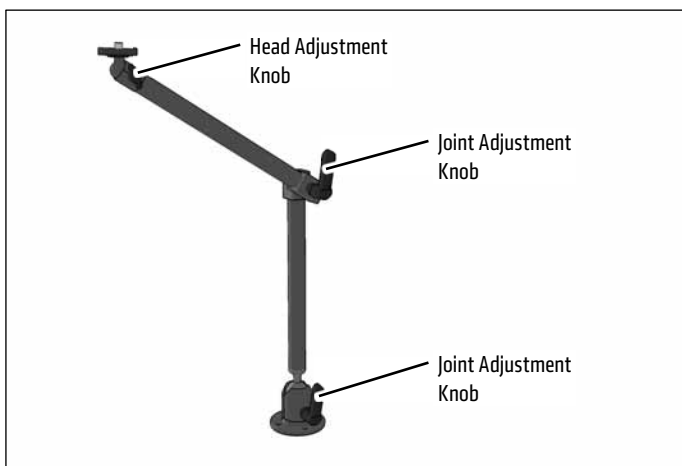
- 1** Tighten the 4 screws through the drill base holes into the mounting surface. You may need to first drill pilot holes and / or insert the included screw anchors depending on the mounting surface.



- 2** Attach camera or other device with 1/4" 20 mounting pattern to the mounting screw (device not included).



- 3** Adjust the mount position by loosening the joint adjustment knobs and retightening in the desired position.



! Safety Precautions

Drilling into the dash or console is a permanent installation to the vehicle. Use caution and consult a mobile install professional to avoid drilling into the gas tank, electrical system or other highly sensitive vehicle components.

Arkon Resources, Inc. is not responsible for any damages caused to your vehicle, furniture or yourself due to the install of the pedestal mount.



The Mobile Mounting Specialists™

Consumer Hotline:

USA (800) 841-0884

INT'L (626) 254-9005

Monday - Friday 9 am - 5 pm, PST

www.arkon.com

Arcadia, CA 91006 USA

Designed in USA | Made in Taiwan

© Copyright 2016 Arkon Resources, Inc.