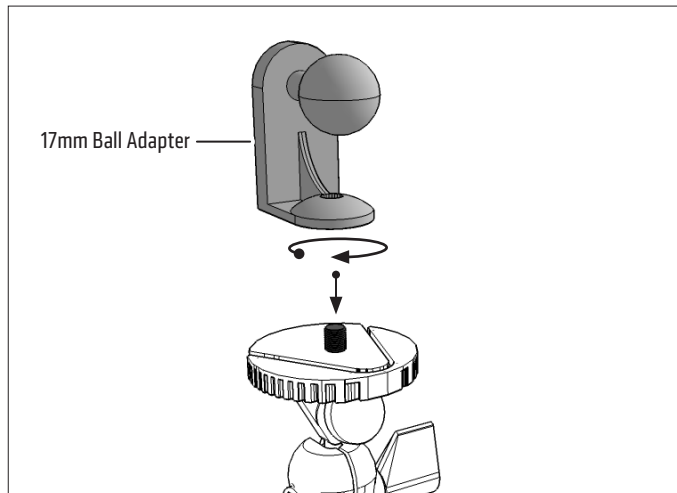




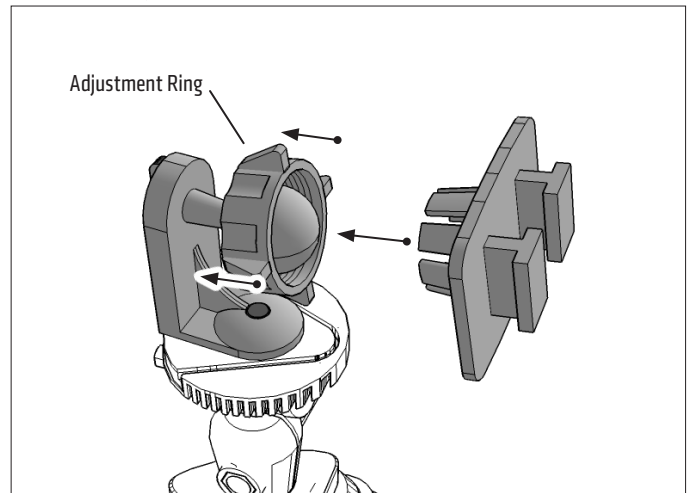
Package Contents:

- AP142017MM – 1/4"-20 Camera Pattern to 17mm Ball Pattern Adapter
- SP-SBH-RING – Swivel Adjustment Ring
- SP-SB-2T – 17mm Ball to Dual T-Tab Adapter
- SM040-2 – Mega Grip Universal Smartphone Holder

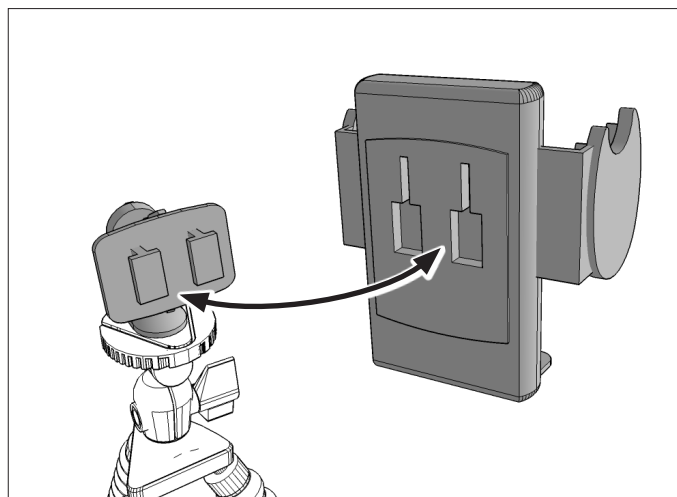
1 Screw 17mm Ball Adapter onto any tripod or holder (sold separately, not included) with a 1/4"-20 mounting bolt.



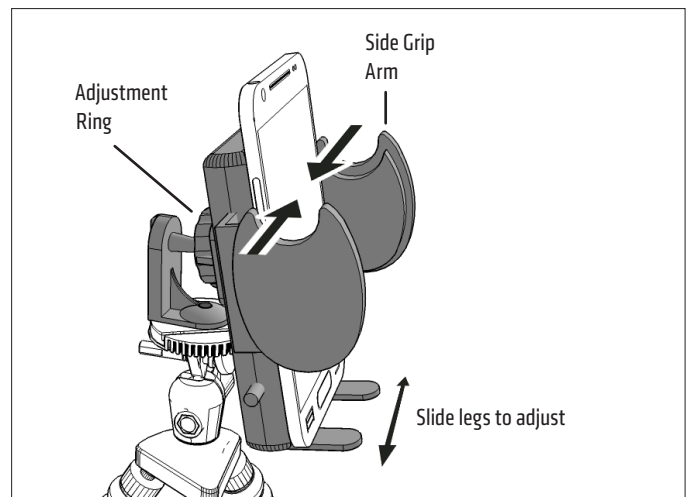
2 Attach the 17mm ball to Dual T-Tab adapter by placing the adjustment ring over the pedestal ball then snapping the adapter onto the pedestal.



3 Attach the Mega Grip Universal smartphone holder by sliding the Dual T-Tabs of the adapter in to the Dual T-Slots of the holder.



4 Adjust the removable support legs if necessary. Place device on support legs and squeeze side grip arms until they securely fit the device. Loosen adjustment ring to change the mount position.



! Safety Precautions

Do not install Arkon products over an airbag cover or within the airbag deployment zone. Arkon Resources, Inc. assumes no responsibility of liability for injury or death as a result of car crashes and / or airbag deployment.

Arkon is not responsible for any damages caused to your vehicle, your device, or yourself due to the installation or use of this mount.



The Mobile Mounting Specialists™

Consumer Hotline:

USA (800) 841-0884

INT'L (626) 254-9005

Monday - Friday 9 am - 5 pm, PST

www.arkon.com

Arcadia, CA 91006 USA

Designed in USA | Made in China

© Copyright 2014 Arkon Resources, Inc.