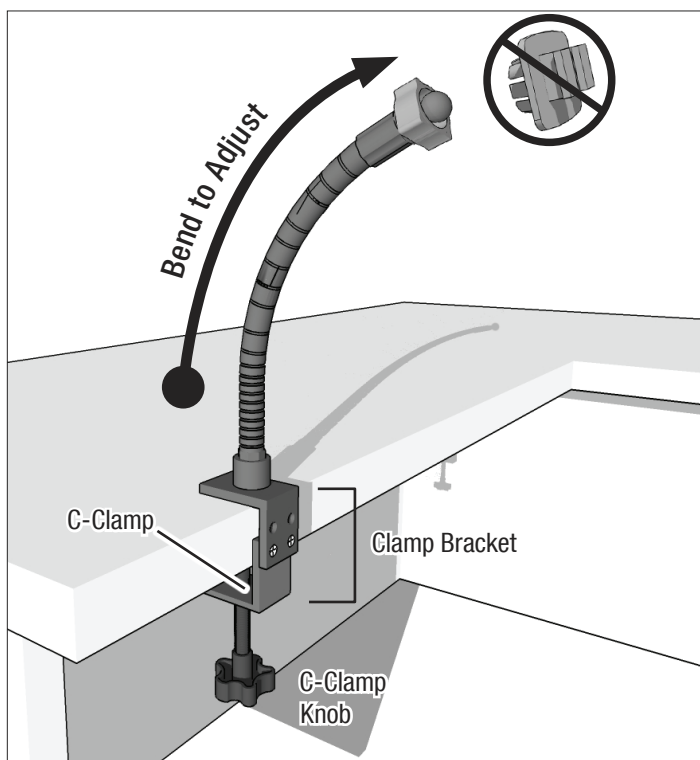
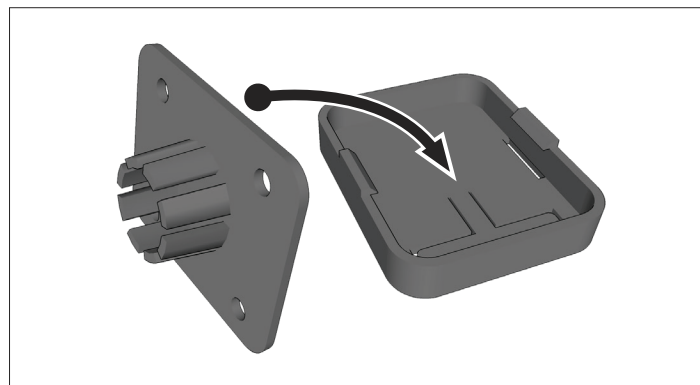




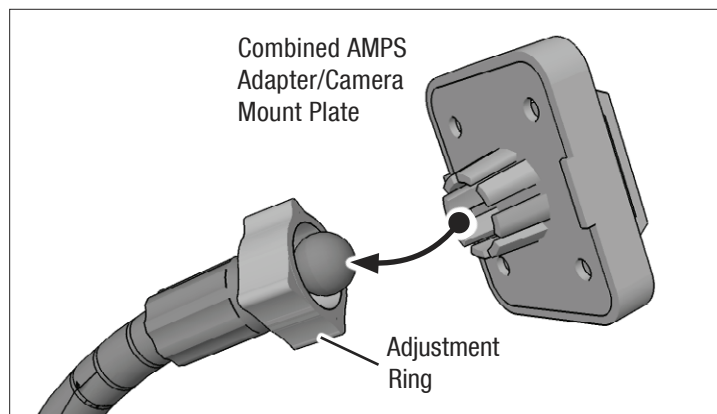
1 Attach mount via C-Clamp knob; adjust the clamp bracket if necessary with a Phillips screwdriver, bend to adjust mount if desired. Remove Dual-T head and discard. Slide optional rubber clamp boot onto the top of the mount's clamp to prevent scratching clamp surface if desired.



2 Snap the AMPS adapter plate onto the back of the camera mount plate.



3 Snap the combined AMPS adapter/camera mount plate onto the mount head then re-tighten adjustment ring.



4 Remove quick-release attachment from camera mount plate and attach to camera.



5 Slide camera with quick-release attachment plate back into camera mount plate and position as desired.



Safety Precautions

Arkon is not responsible for any damages caused to your vehicle, your device, or yourself due to the installation or use of this pedestal mount. Do not install Arkon products over an air bag cover or within the air bag deployment zone. Arkon Resources, Inc. assumes no responsibility of liability for injury or death as a result of car crashes and / or air bag deployment.