



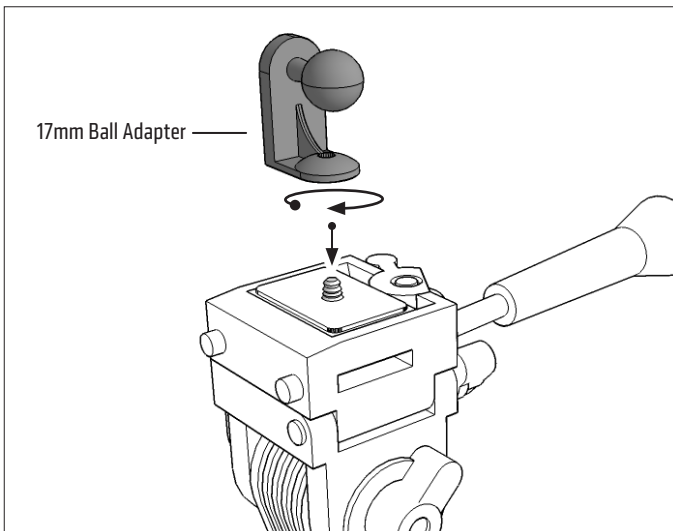
AP142017MM

Package Contents:

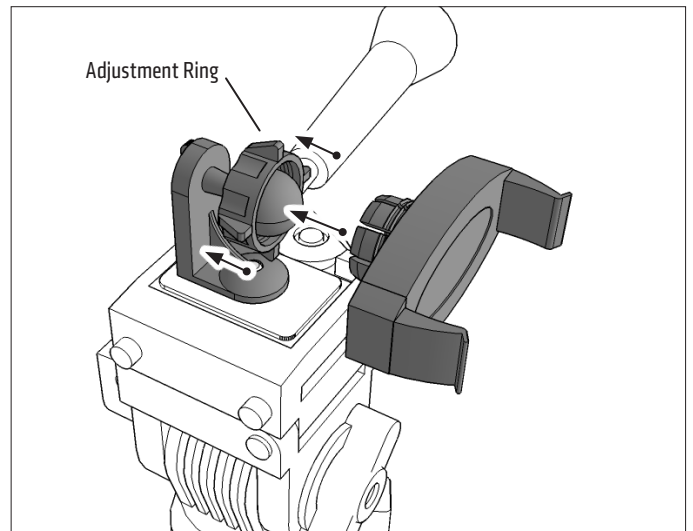
(1) AP142017MM -1/4"-20 Camera Pattern to 17mm Ball Pattern Adapter

Use on tripods with Mobile Grip 2 Universal Smartphone Holder (shown below).

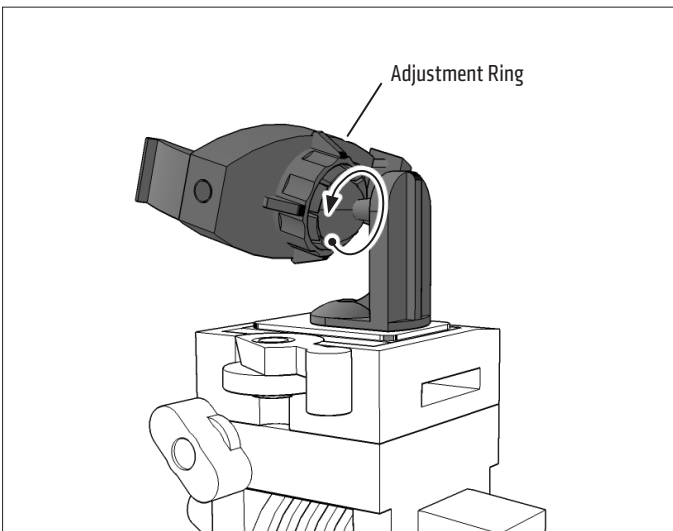
- 1 Screw 17mm Ball Adapter onto any tripod or holder (sold separately, not included) with a 1/4"-20 mounting bolt.



- 2 Attach any 17mm ball mount compatible holder (sold separately, not included) by placing the adjustment ring over the pedestal ball then snapping the holder onto the pedestal.



- 3 Adjust position by loosening the adjustment ring. Retighten to set.



Safety Precautions

Arkon is not responsible for any damages caused to your vehicle, your device, or yourself due to the installation or use of this mount.

ARKON
RESOURCES INC.

The Mobile Mounting Specialists™

Consumer Hotline:

USA (800) 841-0884

INT'L (626) 254-9005

Monday - Friday 9am - 5pm, PST

www.arkon.com

Arcadia, CA 91006 USA

Designed in USA | Made in China

© Copyright 2014 Arkon Resources, Inc.